

- (1) **11100-KA2-000**
CRANKCASE, R.

- (1) **11100-KA2-010**
CRANKCASE, R.

- (1) **11100-KA2-020**
CRANKCASE, R.

- (1) **11100-KA2-405**
CRANKCASE, R.

- (2) **11191-KT0-710**
GASKET, CRANKCASE

- (8) **90031-427-010**
BOLT A, CYL STUD

- (9) **90032-427-010**
BOLT B, CYL STUD

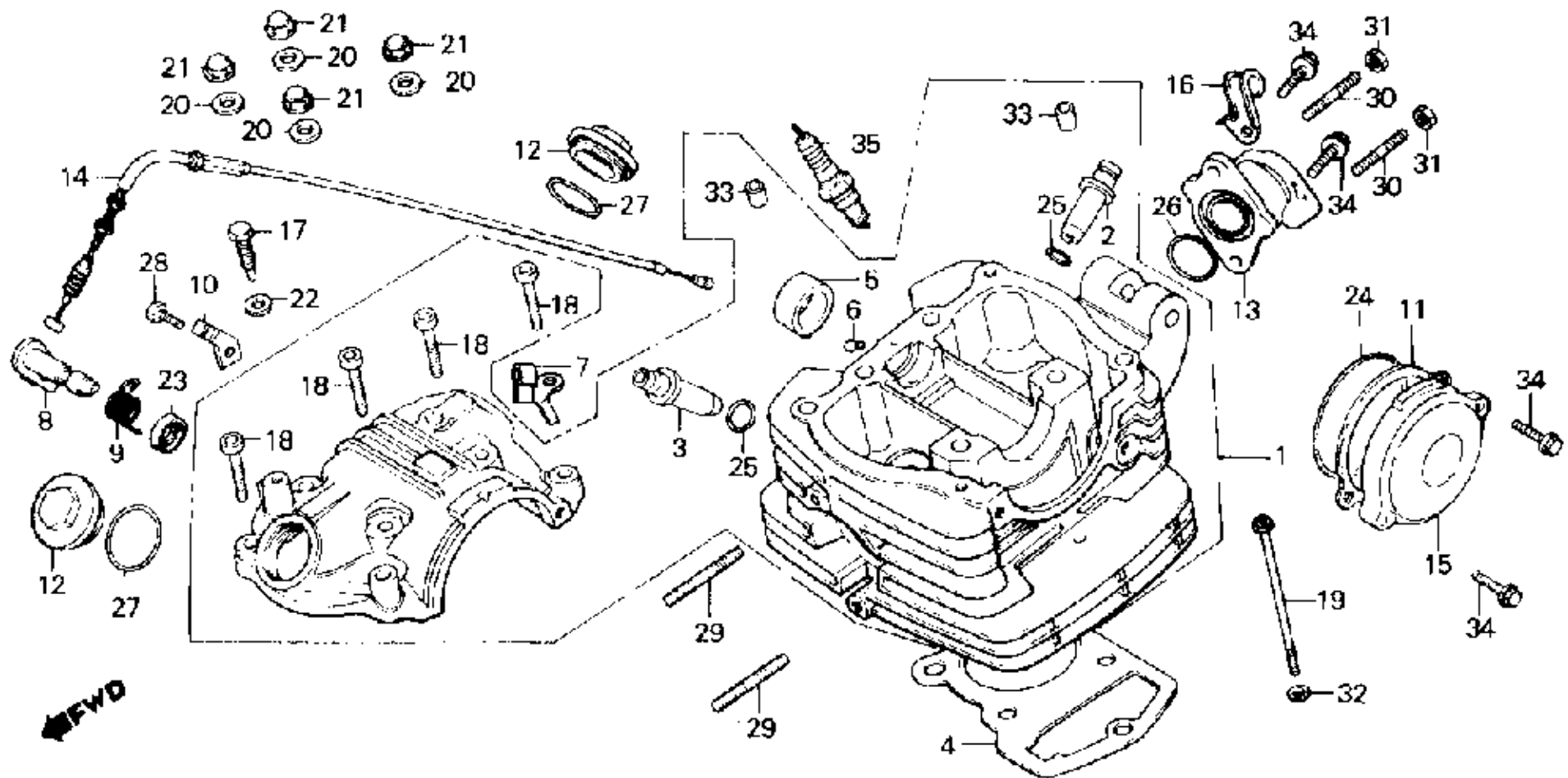
- (10) **91206-286-013**
OIL SEAL (17X28X7)

- (11) **91303-107-000**
O-RING (35X3)

- (12) **92000-06060-0A**
BOLT, HEX. (6X60)

(2)	11191-437-020 GASKET, CRANKCASE
(2)	11191-437-306 GASKET, CRANKCASE
(3)	11200-KJ2-000 CRANKCASE, L.
(4)	12361-383-000 CAP, VALVE ADJ.
(5)	15421-107-000 SCREEN, OIL FILTER
(6)	15426-107-000 SPRING
(7)	22838-KY0-890 HOLDER, CLUTCH CABLE
(7)	22838-397-630 HOLDER, CLUTCH CABLE
(7)	22838-437-000 HOLDER, CLUTCH CABLE
	BOLT, FLANGE (6X50)
(14)	96001-06050-00 BOLT, FLANGE (6X50)

(12)	92101-06060-0A BOLT, HEX. (6X60)
(13)	94301-10140 PIN A, DOWEL (10X14)
(14)	96000-06050-00 BOLT, FLANGE (6X50)



(1) 12000-KJ2-000
CYLINDER HEAD ASSY.

(2) 12021-365-300
GUIDE, VALVE

(3) 12023-437-300
GUIDE, EX. VALVE

(3) 12206-KCS-305
GUIDE (OS)

(16) 32921-KJ2-000
CLIP, IGNITION WIRE

(17) 90008-706-000
BOLT

(18) 90081-383-000
BOLT, SOCKET
(6MM)

(19) 90081-427-000

(29) 92900-06020-3E
BOLT, STUD (6X35)

(30) 92712-06028-0B
BOLT, STUD (6X28)

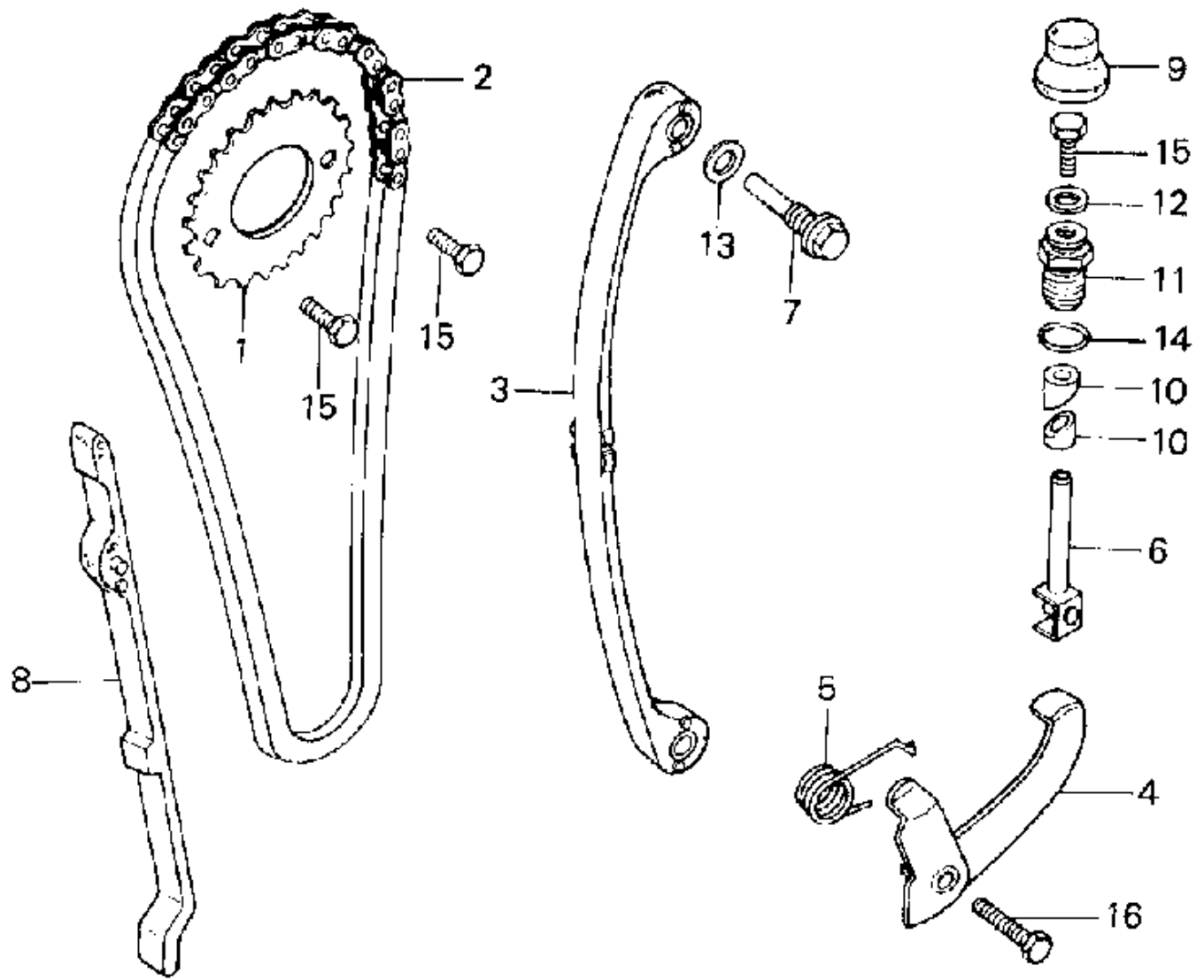
(31) 94001-06000-0S
NUT, HEX. (6MM)

(31) 94001-06200-0S
NUT, HEX. (6MM)

(4)	12251-KT0-P00 GASKET
(4)	12251-446-306 GASKET, CYL HD
(4)	12251-446-776 GASKET, CYL HD
(5)	12260-437-000 BUSH, CAMSHAFT
(6)	12271-383-000 RUBBER, OIL SEAL
(7)	12311-KJ2-780 CLAMP, HOSE
(8)	12320-427-010 LIFTER, VALVE
(9)	12325-427-000 SPRING, VALVE LIFT
(10)	12327-427-000 RECEIVER, DECOMP CBL
(11)	12339-KT0-710 GASKET
(11)	12339-437-003 GASKET
(11)	12339-437-306 GASKET
(12)	12361-383-000 CAP, VALVE ADJ.
(13)	16210-KJ2-000 INSULATOR
(14)	28291-KJ2-000 CABLE, DECOMPRESSION
(15)	30370-KJ2-000 CVR, PULSE GENERATOR

	BOLT (6X116)
(20)	90442-028-000 WASHER (8MM)
(21)	90443-107-000 NUT, CAP (8MM)
(22)	90478-700-000 WASHER A (6MM)
(23)	91201-427-003 OIL SEAL (12X20X6)
(24)	91301-107-000 O-RING (75X2.5)
(25)	91301-200-000 O-RING (10X1.6)
(26)	91302-200-000 O-RING (33.5X3)
(26)	91302-943-003 O-RING (33.5X3)
(26)	91304-HB3-003 O-RING (33.5X3.0)
(27)	91303-107-000 O-RING (35X3)
(28)	92000-06012 BOLT, HEX. (6X12)
(28)	92000-06012-0A BOLT, HEX. (6X12)
(28)	92100-06012 BOLT, HEX. (6X12)
(28)	92101-06012 BOLT, HEX. (6X12)
(28)	92101-06012-0A BOLT, HEX. (6X12)
(29)	92700-06035-3E BOLT, STUD (6X35)

(32)	94101-06000 WASHER, PLAIN (6MM)
(32)	94101-06080 WASHER, PLAIN (6MM)
(32)	94101-06800 WASHER, PLAIN (6MM)
(33)	94301-08140 DOWEL PIN (8X14)
(34)	96000-06020-00 BOLT, FLANGE (6X20)
(34)	96001-06020-00 BOLT, FLANGE (6X20)
(35)	98069-38716 SPARK PLUG (DR8ES- L)
(35)	98069-38719 SPARK PLUG (DR8ES- L)
(35)	98069-57716 SPARK PLUG (DR7ES)
(35)	98069-57719 SPARK PLUG (DR7ES)
(35)	98069-57726 S/PLG (X22ESR-U)
(35)	98069-58716 SPARK PLUG (DR8ES)
(35)	98069-58719 SPARK PLUG (DR8ES)
(35)	98069-58726 S/PLG (X24ESR-U)
(35)	98069-59726 S/PLG (X27ESR-U)



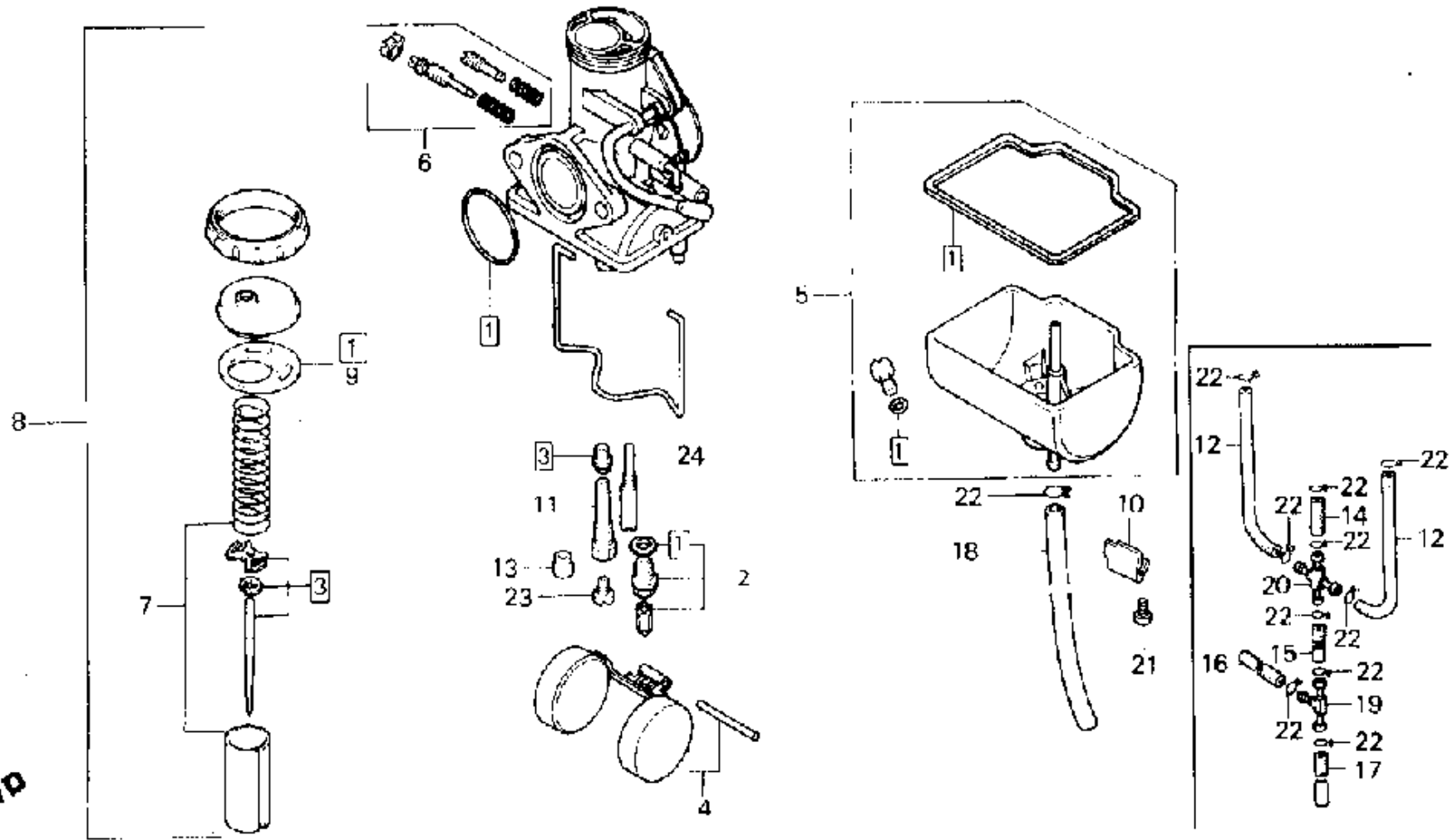
← FWD

(1)	14321-440-000 SPROCKET, CAM (32T)
(2)	14401-427-003 CHAIN, CAM (100L)
(2)	14401-958-003 CHAIN, CAM (100L)
(2)	14401-958-003 CHAIN, CAM (100L)
(3)	14500-427-000 TENSIONER, CAM CHAIN
(4)	14510-383-000 ARM
(5)	14515-383-000 SPRING
(6)	14520-969-010 BAR
(7)	14535-437-000 BOLT
(8)	14550-427-000 GUIDE, CAM CHAIN
(9)	14564-383-000 CAP, TENSIONER ADJ.
(10)	14626-383-000 COLLAR
(11)	90082-383-000 BOLT, SPECIAL (16MM)
(12)	90478-700-000 WASHER A (6MM)

(13)	90481-035-000 WASHER (8MM)
(14)	91335-567-000 O-RING (13X2.5)
(15)	92000-06010 BOLT, HEX. (6X10)
(15)	92000-06010-0A BOLT, HEX. (6X10)
(15)	92101-06010-0A BOLT, HEX. (6X10)
(16)	92000-06020 BOLT, HEX. (6X20)
(16)	92000-06020-0A BOLT, HEX. (6X20)
(16)	92101-06020-0A BOLT, HEX. (6X20)

TL 200 J	76-78	
TL 250 K1	75	376
TLR 200 D	83	
TLR 200 E	-	
TLR 200 F	-	
TLR 200 G/H	86-87	
TLR 250 F	84	KR9

← FWD



(1) **16010-107-305**
GASKET SET

(1) **16010-107-710**
GASKET SET

(2) **16011-302-004**
VALVE SET, FLOAT

(2) **16011-375-004**
VALVE SET, FLOAT

(3) **16012-KJ2-671**
NEEDLE SET, JET

(3) **16012-KJ2-672**
NEEDLE SET, JET

(4) **16013-286-014**
FLOAT SET

(5) **16015-KJ2-671**
CHAMBER SET, FLOAT

(6) **16016-KJ2-671**
SCREW SET A

(7) **16022-KJ2-004**
VALVE SET,
THROTTLE

(8) **16100-KJ2-672**
CARBURETOR ASSY.

(8) **16100-KJ2-673**
CARBURETOR ASSY.

(8) **16100-KJ2-781**
CARBURETOR ASSY.

(8) **16100-KJ2-782**
CARBURETOR ASSY.

(9) **16110-KJ2-671**
WASHER, TOP

(10) **16119-KJ2-671**
STAY, PLATE

11) **16139-107-710**
HOLDER, NEEDLE JET

(12) **16143-469-004**
TUBE, FUEL (3.5X120)

(12) **16198-HC0-405**
TUBE

(13) **16168-169-004**
HOLDER, JET

(13) **16168-169-004**
HOLDER, JET

(14) **16198-MK6-405**
TUBE (4.5X6X26)

(14) **16199-KB4-791**
TUBE, FUEL

(15) **16198-MK6-405**
TUBE (4.5X6X26)

(15) **16199-KJ2-781**
TUBE

(16) **16199-159-701**
TUBE, OVERFLOW

(17) **16199-402-004**
TUBE, OVERFLOW

(18) **16199-KG4-405**
TUBE

(18) **16199-471-004**
TUBE, FUEL

(19) **17201-MG9-000**
JOINT, VACUUM
TUBE

(20) **17202-MG9-640**
JOINT, VACUUM
TUBE

(21) **93500-05008-0H**
SCREW, PAN (5X8)

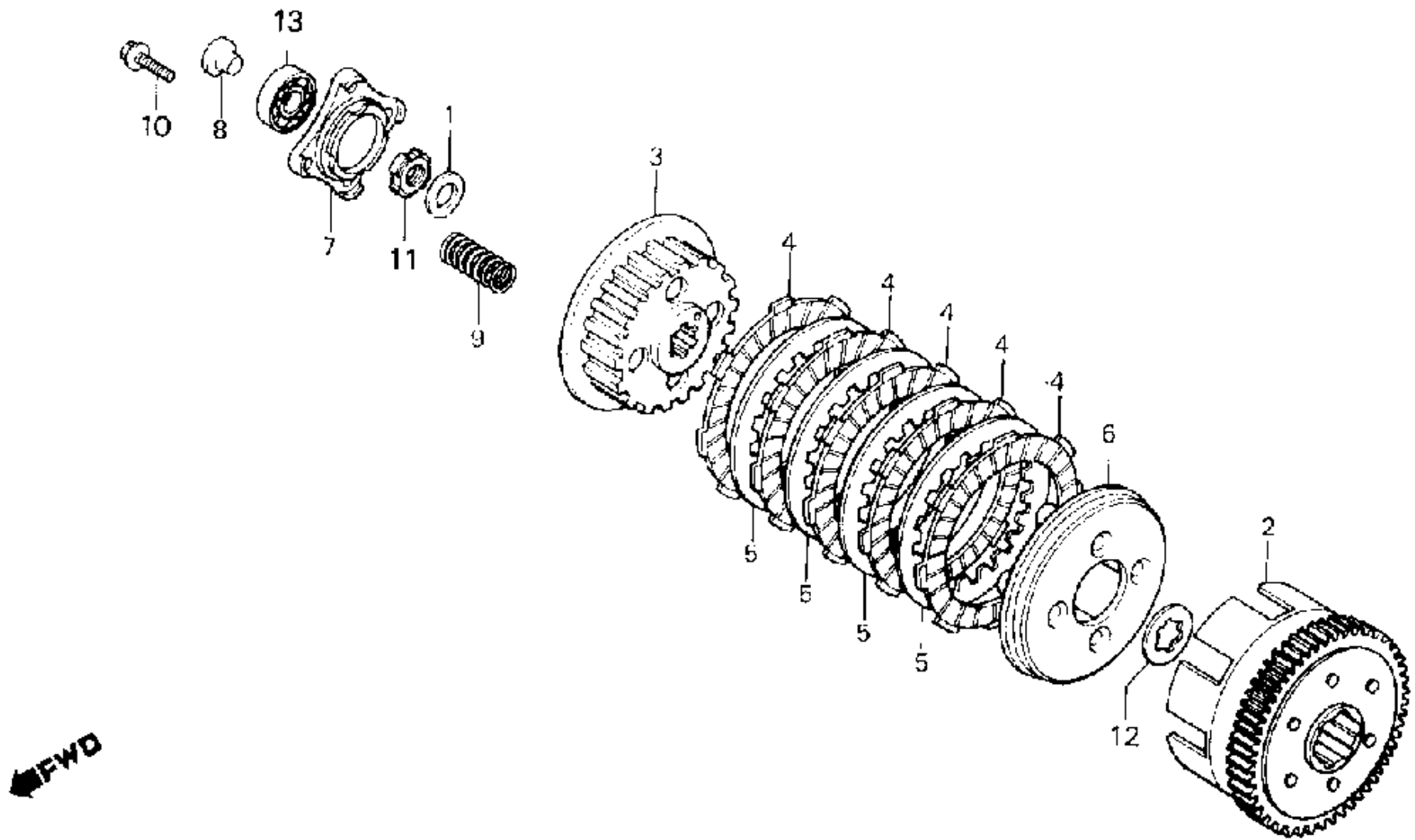
(22) **95002-02650**
CLIP, TUBE (B6.5)

(22) **95002-02650**
CLIP, TUBE (B6.5)

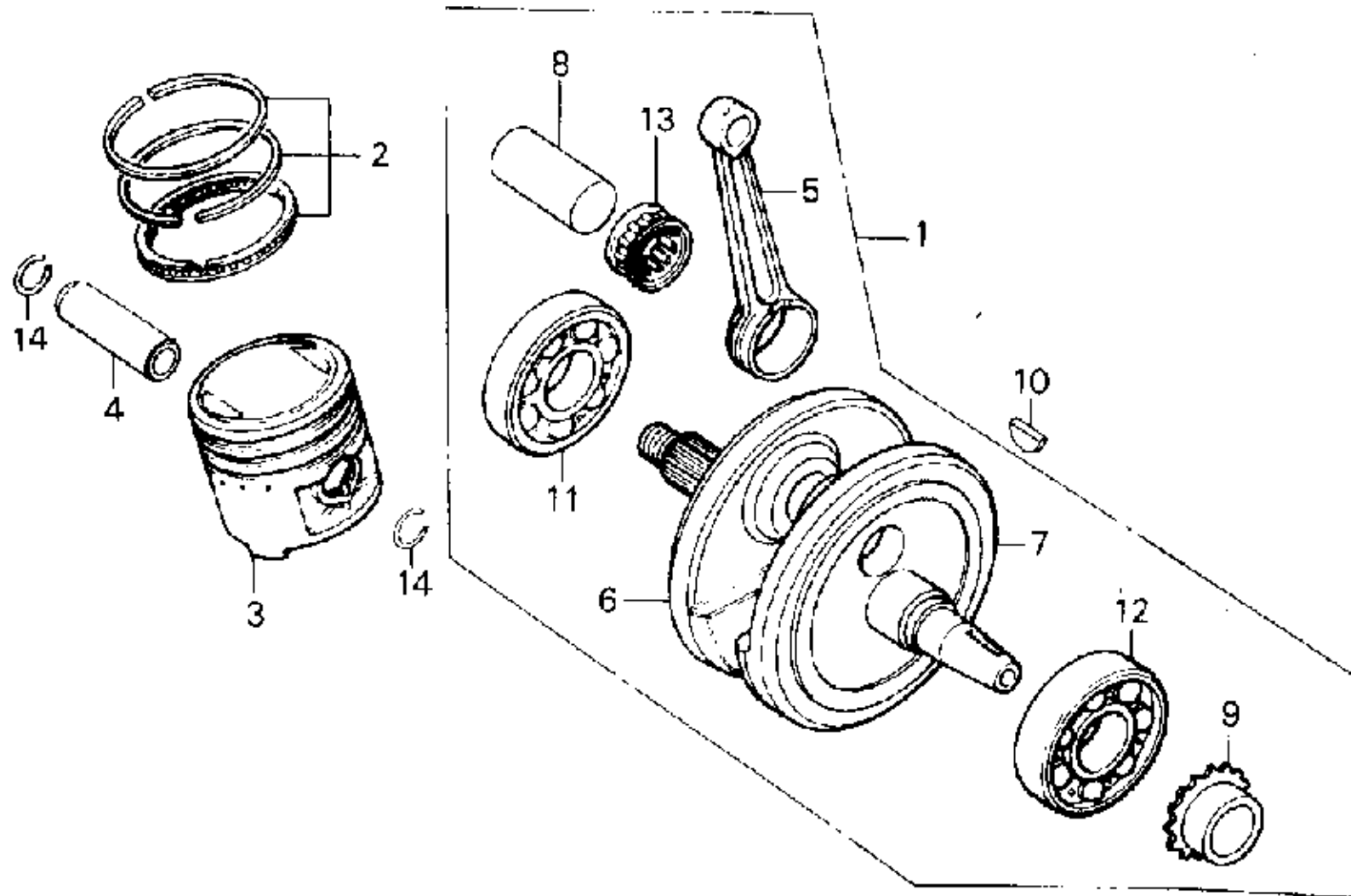
(23) **99101-GHB-0920**
JET (#92)

(23) **99101-393-0920**
JET, MAIN (#92)


(24) **99103-357-0380**
JET, SLOW (#38)



(1) 15451-107-000 WASHER	(11) 90231-KCS-651 NUT, LOCK (16MM)	
(2) 22100-437-020 CLUTCH OUTER	(11) 90231-200-010 NUT, LOCK (16MM)	
(3) 22121-KCS-650 CENTER, CLUTCH	(12) 90461-107-000 WASHER B (20MM)	
(3) 22121-107-010 CENTER, CLUTCH	(13) 91008-KK6-000 BEARING (16003)	
(4) 22201-GF6-000 DISK, CL FRICTION	(13) 91010-HC0-003 BEARING (16003)	
(4) 22201-KB4-670 DISK, CL FRICTION	(13) 91011-KK6-013 BEARING (16003)	
(4) 22201-166-000 DISK, CL FRICTION		
(5) 22311-KN4-680 PLATE, CLUTCH		
(5) 22311-107-000 PLATE, CLUTCH		
(6) 22350-107-000 PLATE, CLU PRESS		
(6) 22350-107-010 PLATE, CLU PRESS		
(7) 22361-437-000 PLATE, CLUTCH LIFTER		
(8) 22366-KJ2-000 ROD, CLUTCH LIFTER		
(9) 22401-MB0-000 SPRING, CLUTCH		
(9) 22401-422-000 SPRING, CLUTCH		
(10) 90050-357-000 BOLT (6X22)		



FWD

(1) 13000-KJ2-000 CRANKSHAFT	(10) 90741-003-010 KEY, WOODRUFF (4MM)	(1) 12100-KA2-010 CYLINDER
(2) 13011-446-811 RING SET (STD)	(11) 91001-KY7-003 BEARING, RADIAL BALL	(2) 12191-KT0-710 GASKET, CYLINDER
(3) 13101-KJ2-003 PISTON	(11) 91001-440-003 BEARING (V2 6328J)	(2) 12191-KW1-900 GASKET, CYLINDER
(4) 13111-425-000 PIN, PISTON	(11) 91009-HC0-003 BEARING (63/28)	(2) 12191-437-010 GASKET, CYLINDER
(5) 13201-446-770 ROD, CONNECTING	(12) 91001-KBR-003 BEARING (28X72X18)	(2) 12191-437-020 GASKET, CYLINDER
(6) 13311-446-305 CRANKSHAFT, R.	(12) 91001-446-771 BEARING, RADIAL BALL	(3) 91301-200-000 O-RING (10X1.6)
(6) 13311-446-770 CRANKSHAFT, R.	(13) 91002-446-771 BEARING A	(4) 94301-10200 PIN A, DOWEL (10X20)
(7) 13321-KJ2-300 CRANKSHAFT, L.	(13) 91003-446-771 BEARING B	
(8) 13381-446-770 PIN, CRANK	(13) 91004-446-771 BEARING C	
(9) 14311-KJ2-300 SPROCKET (16T)	(14) 94601-15000 CLIP (15MM)	
(10) 90701-HB6-000 KEY (25X14X4)		
(10) 90701-HB6-010 KEY (25X14X4)		

Selection table of connecting rod large and bearing

(Radial clearance 0~8 μm)

Connecting rod I.D. 38∅		a	A	B	C	D	E	F
		-0.003 -0.001	-0.001 +0.001	+0.001 +0.003	+0.003 +0.005	+0.005 +0.007	+0.007 +0.009	+0.009 +0.011
1 or Green	-0.001 +0.001	/	/	Red 91002- 446- 771	/	/	/	/
2 or Yellow	+0.001 +0.003	/	Blue 91003- 446- 771	/	Red 91002- 446- 771	/	/	/
3 or White	+0.003 +0.005	White 91004- 446- 771	/	Blue 91003- 446- 771	/	Red 91002- 446- 771	/	/
4 or Blue	+0.005 +0.007	/	White 91004- 446- 771	/	Blue 91003- 446- 771	/	Red 91002- 446- 771	/
5 or Brown	+0.007 +0.009	/	/	White 91004- 446- 771	/	Blue 91003- 446- 771	/	Red 91002- 446- 771

- (1) **17918-KJ2-000**
CLIP, THROTTLE CABLE
- (2) **50100-KJ2-670ZA**
FRAME *R119*
- (3) **50351-KJ3-000**
PLATE, SKID
- (4) **50352-KJ2-000**
RUBBER
- (5) **50353-KJ2-000ZA**
PLATE, FR. *R119*
- (6) **50354-428-000**
RUBBER B, STOPPER
- (7) **50710-MG2-003**
HOLDER ASSY.,
HELMET
- (8) **87511-323-670**
LABEL, HELMET
HOLDER
- (9) **90106-428-000**
BOLT, SPECIAL (6MM)
- (9) **90107-195-860**
BOLT B (6MM)
- (9) **90107-428-000**
BOLT B (6MM)
- (10) **90116-KF0-000**
BOLT, FLG (10X112)
- (11) **90125-KJ2-000**
SCREW, SOCKET CAP
- (12) **90155-437-000**
BOLT, HEX. (10X115)

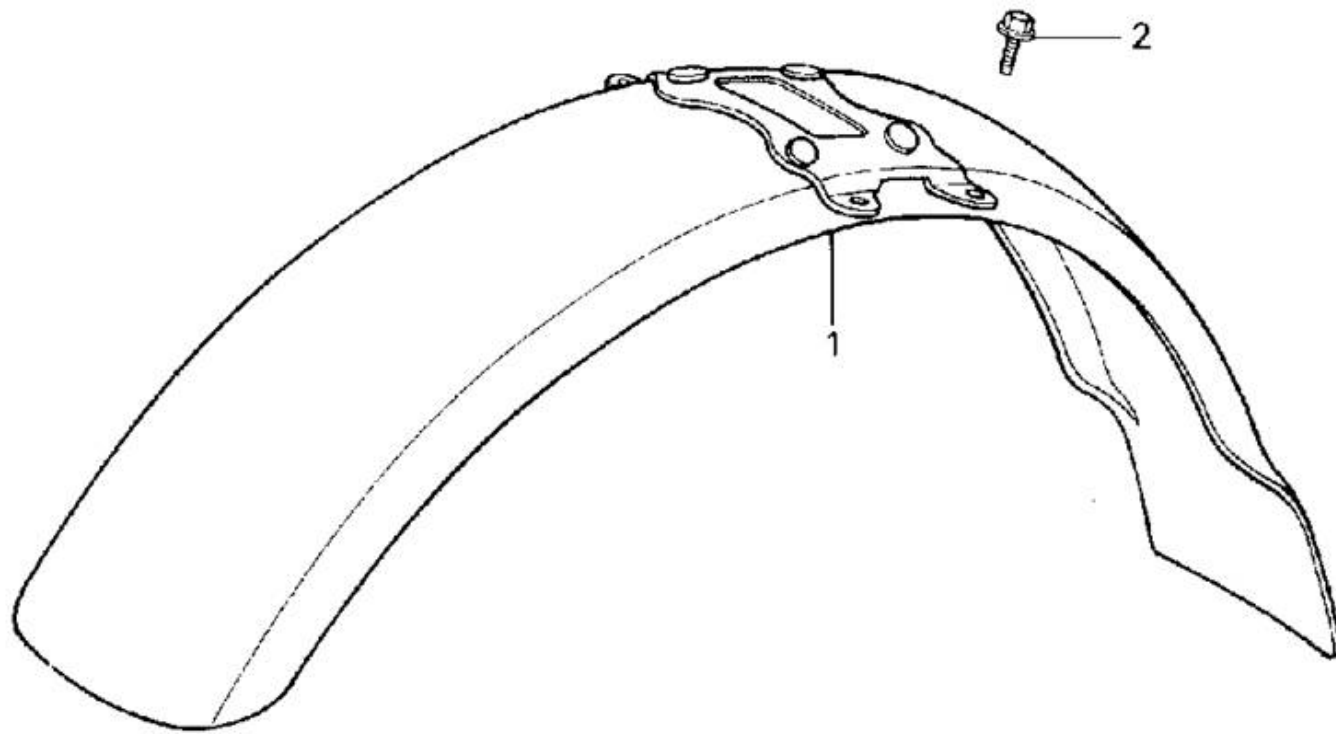
- (13) **90218-KJ2-000**
BOLT, FLANGE (8X57)
- (14) **90742-KJ2-000**
COLLAR, ENG HGR
- (15) **94001-10000-0S**
NUT, HEX. (10MM)
- (16) **94030-10000**
NUT, HEX. (10MM)
- (17) **94050-08000**
NUT, FLANGE (8MM)
- (18) **94101-10000**
WASHER, PLAIN
(10MM)
- (19) **96400-08075-00**
BOLT, FLANGE (8X75)
- (20) **96400-08085-00**
BOLT, FLANGE (8X85)
- (21) **96300-08016-00**
BOLT, FLANGE (8X16)
- (21) **96400-08016-00**
BOLT, FLANGE (8X16)
- (21) **96500-08016-00**
BOLT, FLANGE (8X16)

www.ustGP.com

(-)	06430-GBJ-J10 SHOE SET, BRAKE
(-)	06430-KB9-406 BRAKE SHOE KIT
(-)	06430-KT0-305 SHOE KIT, BRAKE
(-)	451A2-KB9-015 SHOE KIT, BRAKE
(1)	43151-110-000 SPRING, BRAKE SHOE
(2)	44804-KA2-003 GEAR, SPEEDOMETER
(3)	45010-KJ2-670ZA PANEL SUB *NH105*
(4)	45120-KB9-015 SHOE SET, FR. BRAKE
(5)	45131-KB9-000 CAM, FR. BRAKE
(6)	45134-250-000 DUST SEAL, BRAKE CAM
(7)	45145-GC5-000 INDICATOR, FR. BRAKE
(8)	45410-KE1-000 ARM, FR. BRAKE
(8)	45410-KT0-830 ARM, FR. BRAKE

(9)	45436-GC5-000 NUT, FR.
(10)	45454-KR8-000 SPRING, BRAKE CABLE
(11)	90306-KF0-003 NUT, FLANGE (12MM)
(12)	91251-GK4-003 OIL SEAL (47X60X7)
(12)	91251-121-000 OIL SEAL (47X60X7)
(12)	91251-121-003 OIL SEAL (47X60X7)
(12)	91251-361-005 OIL SEAL (47X60X7)
(13)	93700-05020-0A SCREW, OVAL (5X20)
(14)	95700-06035-00 BOLT, FLANGE (6X35)
(14)	95701-06035-00 BOLT, FLANGE (6X35)

www.ustGP.com

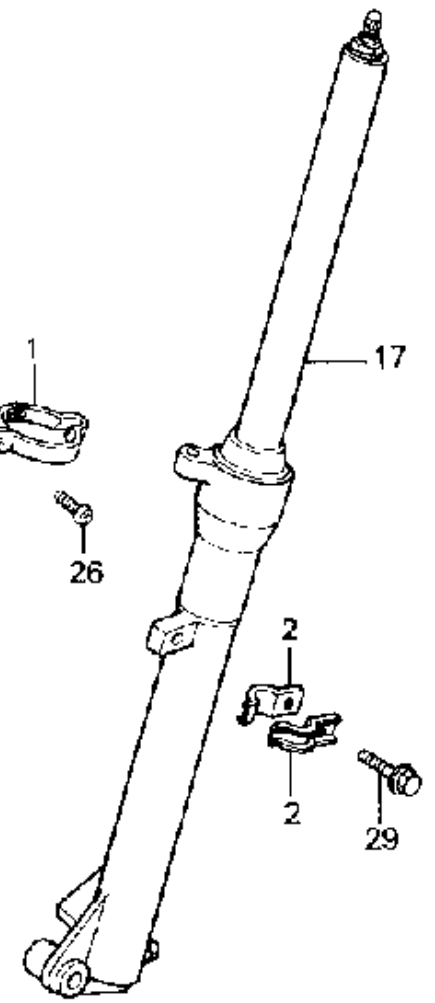
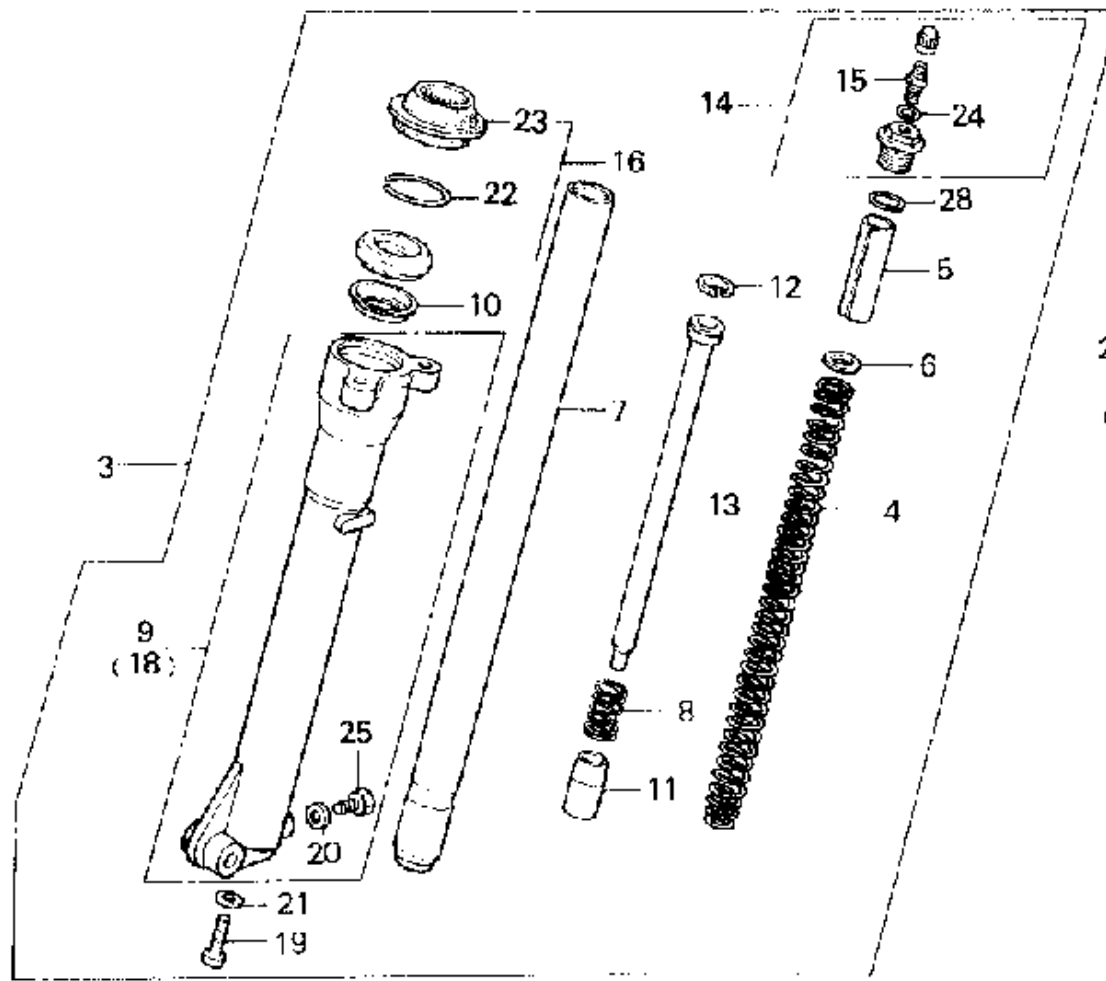


← FWD

(1) **61100-KJ2-000ZA**
FENDER, FR.
NH111

(2) **96000-06012-00**
BOLT, FLANGE
(6X12)

(2) **96001-06012-00**
BOLT, FLANGE
(6X12)



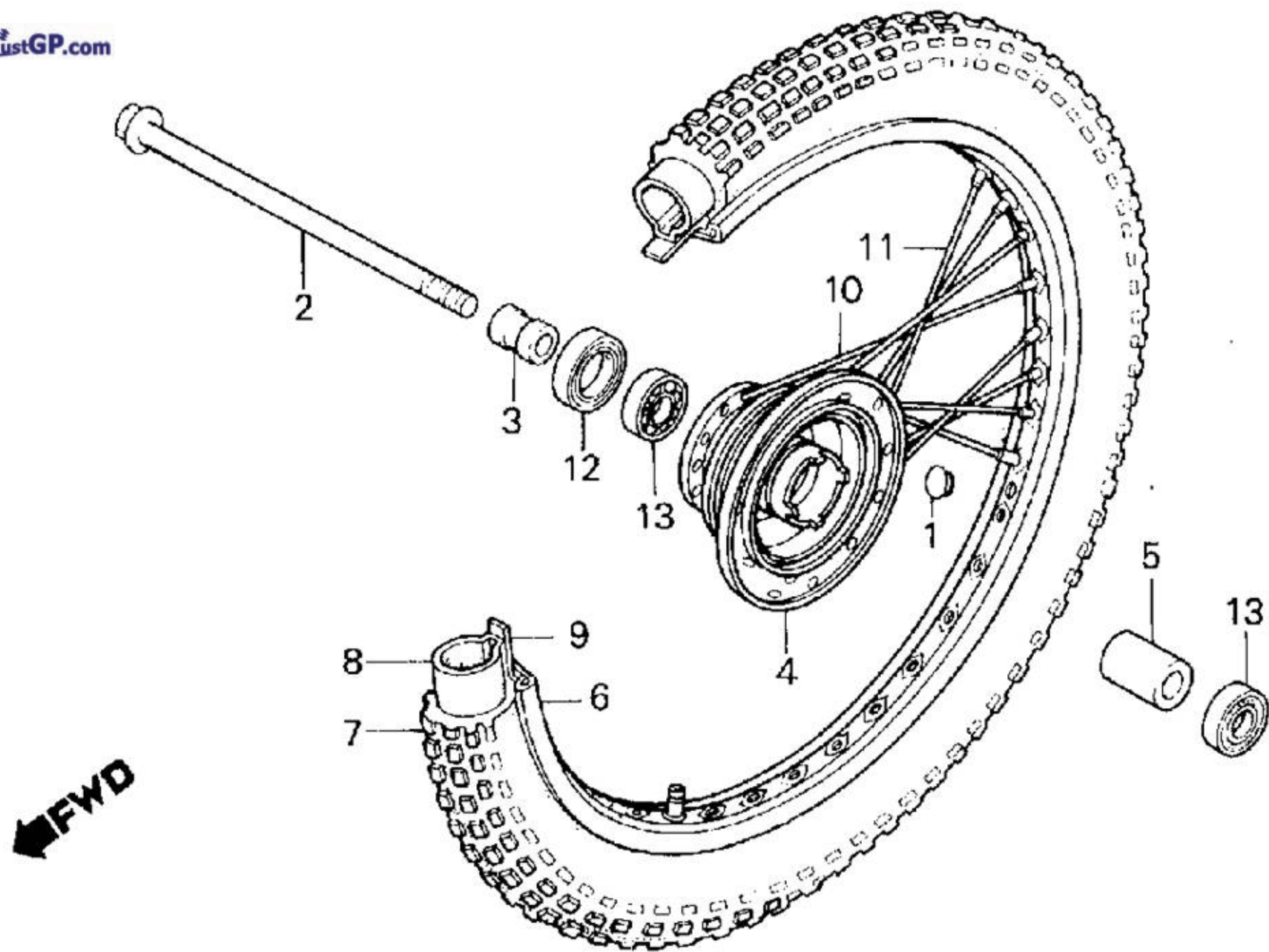
← FWD

(1)	44832-KJ2-000 CLAMP
(2)	45461-KB9-000 CLAMP, FR. BRAKE
(3)	51400-KJ2-671 FORK ASSY., R. FR.
(4)	51401-KJ3-003 SPRING, FR. FORK
(5)	51402-KJ3-003 COLLAR, SPRING
(6)	51403-KJ3-003 SEAT, SPRING
(7)	51410-KJ3-003 PIPE, FR. FORK
(8)	51412-340-000 SPRING, FR.
(9)	51420-KJ3-003 CASE, R. (LOWER)
(10)	51422-376-003 RING, BACK-UP
(10)	51422-376-305 RING, BACK-UP
(11)	51432-GE4-003 PIECE, OIL LOCK
(12)	51437-400-771 RING, PISTON

(13)	51440-KJ2-671 PIPE, SEAT
(14)	51450-KJ3-003 BOLT ASSY., FR. FORK
(15)	51456-469-013 VALVE, AIR
(16)	51490-GC4-830 SEAL SET, FR. FORK
(16)	51490-KJ2-670 SEAL SET, FR. FORK
(17)	51500-KJ2-671 FORK ASSY., L. FR.
(18)	51520-KJ2-671 CASE, L. (LOWER)
(19)	90116-383-721 BOLT, SOCKET (8MM)
(20)	90543-273-000 GASKET, FR.
(21)	90544-283-000 WASHER (8MM)
(22)	90601-GC4-731 RING, OIL SEAL STOP
(23)	51425-473-003 DUST SEAL
(23)	91254-KJ2-671 DUST SEAL
(24)	91301-469-003 O-RING (5.8X1.9)

24)	91305-323-000 O-RING (5.8X1.9)
(25)	92000-06008-0A BOLT, HEX. (6X8)
(25)	92101-06008-0A BOLT, HEX. (6X8)
(26)	93500-05020-0A SCREW, PAN (5X20)
(27)	94001-05000-0S NUT, HEX. (5MM)
(28)	94608-50000 O-RING (23X2.8)
(29)	96000-06016-00 BOLT, FLANGE (6X16)
(29)	96001-06016-00 BOLT, FLANGE (6X16)

www.mustGP.com



- (1) **42717-310-000**
CAP, RIM HOLE

- (2) **44301-GN5-900**
AXLE, FR. WHEEL

- (2) **44301-KJ2-000**
AXLE, FR. WHEEL

- (3) **44311-229-000**
COLR, FR. WHEEL
SIDE

- (4) **44601-GJ1-000**
HUB, FR. WHEEL

- (5) **44620-400-000**
COLLAR, FR.

- (6) **44701-KB9-003**
RIM, FR. WHEEL

- (7) **44711-KR8-004**
TIRE, FR. (2.75-21)

- (8) **0Y400-33100**
TUBE (2.75/3.50-21)

- (8) **08400-33100**
TUBE (275/325-21)

- (8) **08400-34010**
TUBE (275/300X21)

- (8) **44712-MC4-005**
TUBE (275/300-2)

- (8) **44712-340-003**
TUBE (2.75/3.00-21)

- (8) **44712-400-004**
TUBE (2.75/3.00-21)

- (8) **44712-437-971**
TUBE (2.75/3.00-21)

- (8) **44712-446-003**
TUBE (2.75/3.00-21)

- (8) **44712-446-631**
TUBE (2.75/3.00-21)

- (9) **44713-400-004**
FLAP (1.40/1.60-21)

- (10) **446A0-KB9-000**
SPOKE SET B
(9X240)

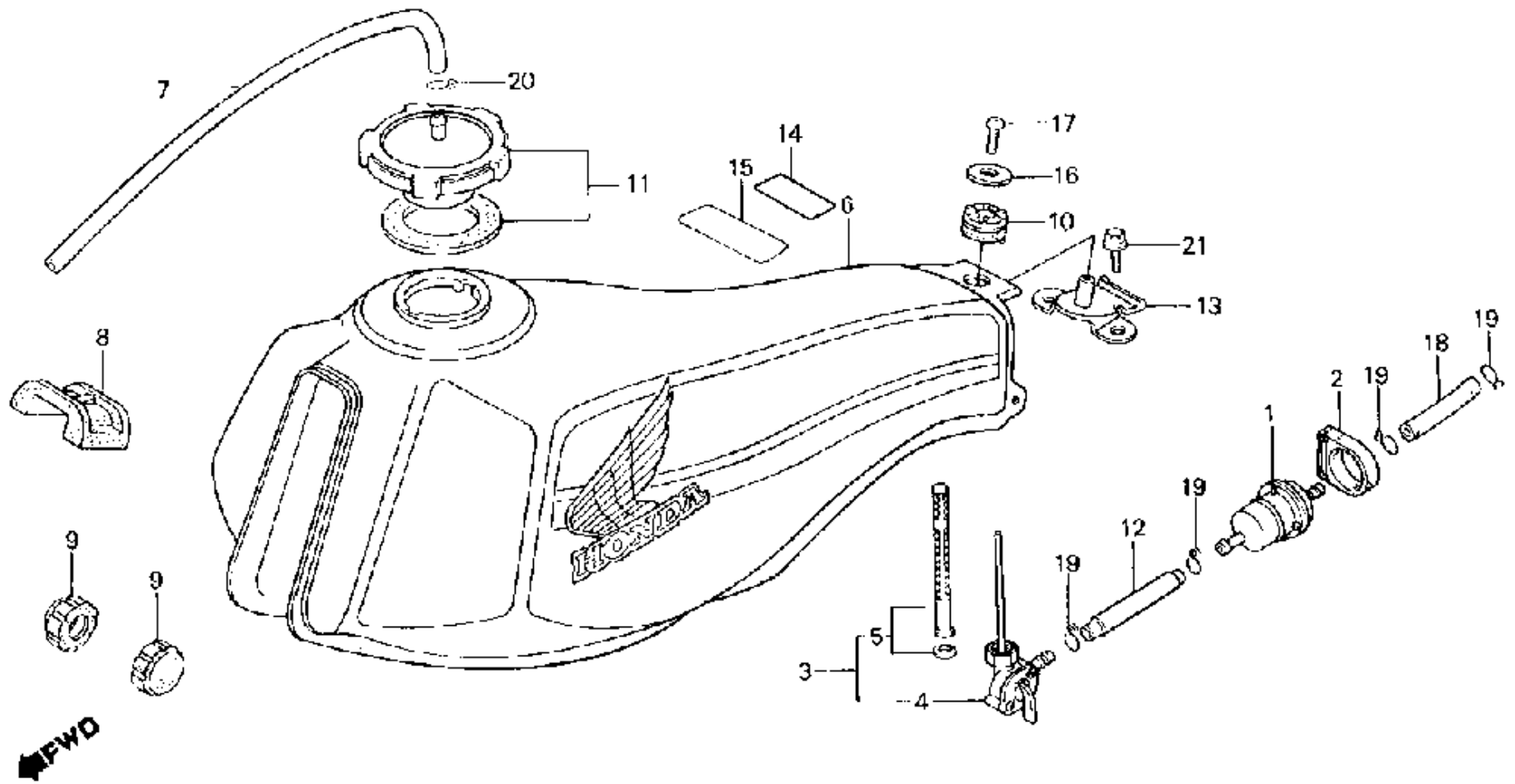
- (11) **446B0-KB9-000**
SPOKE SET B
(9X204)

- (12) **90755-229-003**
OIL SEAL (21X37X7)

- (12) **90755-229-005**
OIL SEAL (21X37X7)

- (13) **96140-63010-10**
BEARING (6301U)

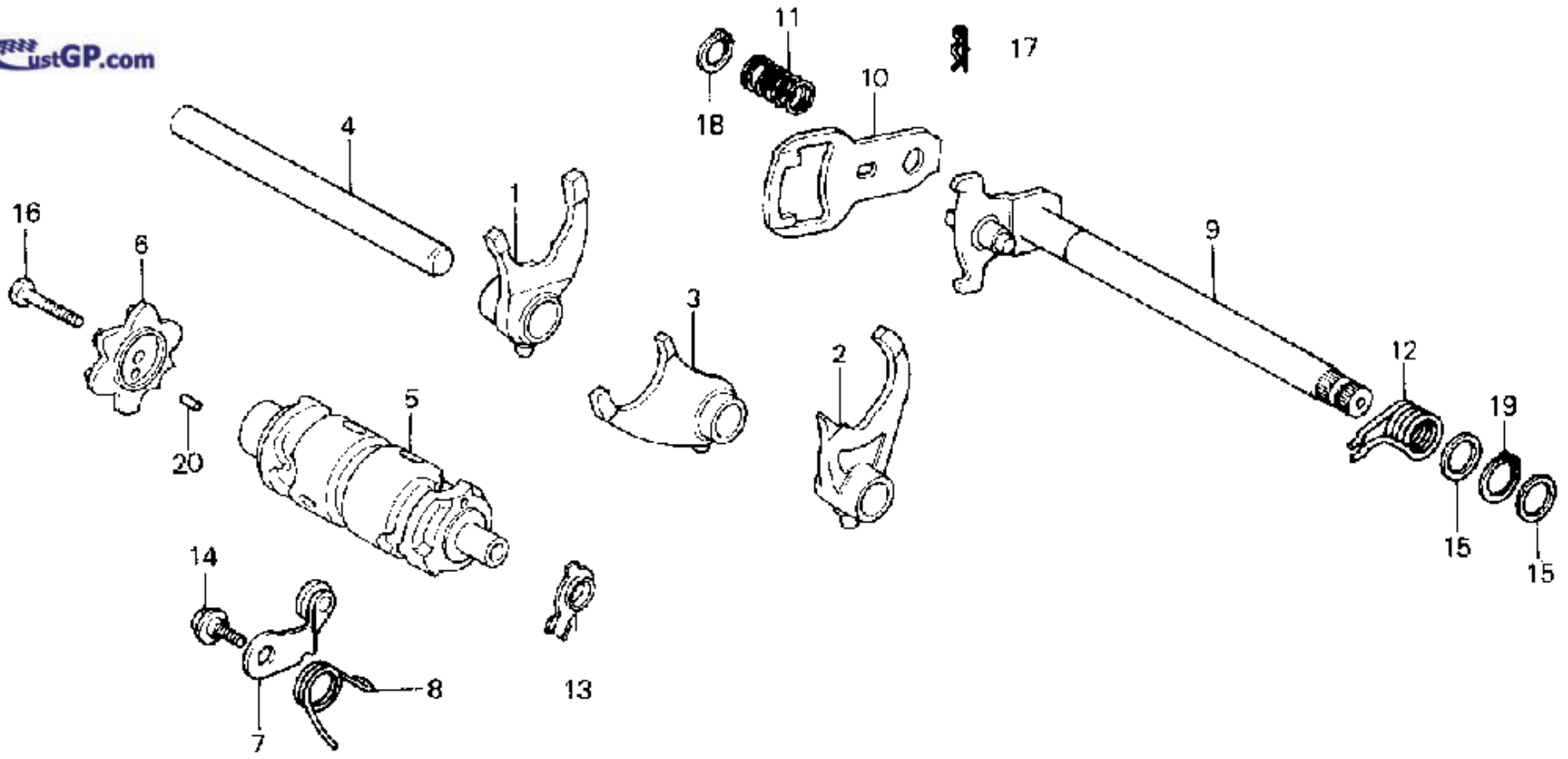
www.ustGP.com



(1)	16910-GB2-005 FILTER, FUEL
(2)	16915-GB2-000 SUSPENSION, STRAINER
(3)	16950-GF6-015 COCK ASSY,FUEL
(3)	16950-KE6-830 PETCOCK ASSY.
(3)	16950-164-025 PETCOCK ASSY., FUEL
(3)	16950-164-035 PETCOCK, FUEL
(4)	16951-GF6-005 BODY SET, PETCOCK
(4)	16951-164-025 BODY SET, PETCOCK
(4)	16951-164-035 BODY SET, PETCOCK
(5)	16953-155-015 SCREEN SET
(5)	16953-155-305 SCREEN SET
(6)	175A1-KJ2-670ZA TANK, FUEL *NH111*
(7)	17520-357-000 TUBE
(8)	17611-KJ2-000 RUBBER
(9)	17611-437-000 RUBBER, FR. TANK
(10)	17613-176-000 RUBBER, RR.

(11)	17620-KE1-003 CAP, FUEL FILLER
(11)	17620-KE1-013 CAP, FUEL FILLER
(12)	17681-KJ2-000 TUBE, FUEL
(12)	17681-KJ2-010 TUBE, FUEL
(13)	50141-KJ2-000 PLATE, TANK SETTING
(14)	87510-147-670ZA LABEL *NH1*
(15)	87560-181-760 LABEL *NH1*
(15)	87560-181-760ZE MARK (TYPEB)
(16)	90136-428-870 WASHER, TANK SETTING
(17)	93500-06012-0A SCREW, PAN (6X12)
(18)	95001-45003-60M BULK HOSE (4.5X3000)
(19)	95002-02080 CLIP, TUBE (B8)
(20)	95002-50000 CLIP, TUBE (C9)
(21)	96000-06012-00 BOLT, FLANGE (6X12)
(21)	96001-06012-00 BOLT, FLANGE (6X12)

www.ustGP.com



← FWD

- (1) **24211-446-650**
FORK, R.
GEARSHIFT

- (2) **24221-446-650**
FORK, L. GEARSHIFT

- (3) **24231-446-650**
FORK

- (4) **24241-KCS-650**
SHAFT

- (4) **24241-399-000**
SHAFT

- (5) **24301-446-650**
DRUM, GEARSHIFT

- (6) **24411-446-650**
CAM, GEARSHIFT

- (7) **24430-437-000**
STOPPER

- (8) **24435-437-000**
SPRING

- (9) **24610-446-650**
SPINDLE,
GEARSHIFT

- (10) **24621-446-650**
PLATE, GEARSHIFT

- (11) **24631-107-000**
SPRING

- (12) **24651-437-000**
SPRING



- (13) **35753-KG2-951**
ROTOR

- (13) **35753-028-601**
ROTOR

- (14) **90023-041-000**
BOLT

- (14) **90023-041-010**
BOLT

- (15) **90451-001-000**
WASHER (14MM)

- (16) **92000-06025**
BOLT, HEX.
(6X25)

- (16) **92000-06025-0A**
BOLT, HEX.
(6X25)

- (16) **92100-06025**
BOLT, HEX.
(6X25)

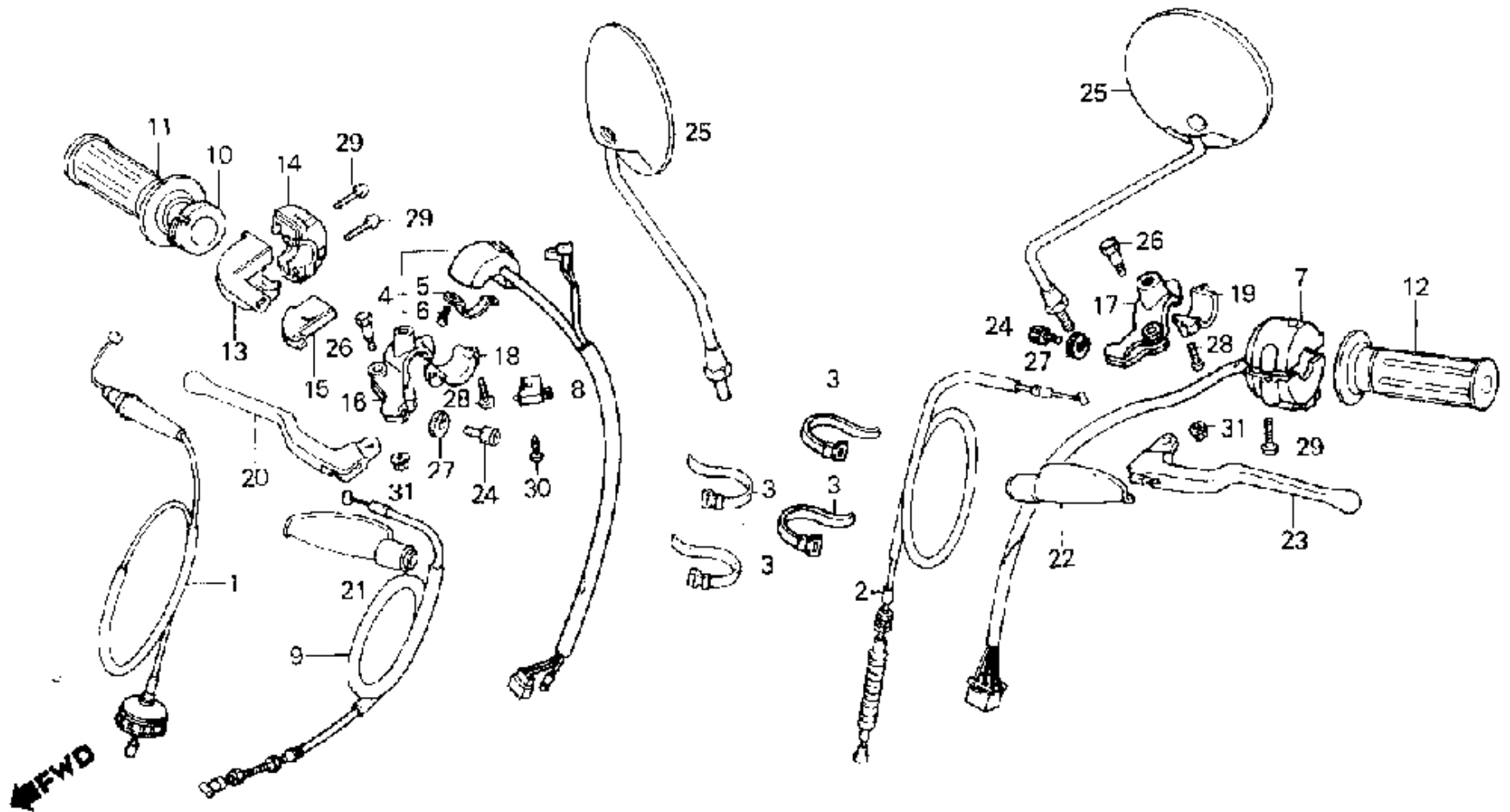
- (16) **92101-06025-0A**
BOLT, HEX.
(6X25)

- (17) **94251-10000**
PIN, LOCK
(10MM)

- (18) **94510-12000**
CIRCLIP (12MM)

- (19) **94510-14000**
CIRCLIP (14MM)

- (20) **96220-40100**
ROLLER (4X10)



- (1) **17920-KJ2-305**
CABLE SET,
THROTTLE

- (2) **22870-KJ2-000**
CABLE, CLUTCH

- (3) **32161-404-000**
BAND B1, CABLE

- (4) **35130-KJ2-670**
SWITCH ASSY., STOP

- (4) **35130-KR5-003**
SWITCH ASSY., STOP

- (5) **35132-KR5-003**
PLATE, SETTING

- (5) **35132-KR5-013**
PLATE, SETTING

- (6) **35133-KJ2-003**
SCREW, PAN (4X12)

- (7) **35200-KJ2-670**
SWITCH, TURN
SIGNAL

- (8) **35340-KG1-003**
SWITCH, FR. STOP

- (9) **45450-KJ2-405**
CABLE COMP,FR,BRK

- (9) **45450-KJ2-670**
CABLE, FR. BRAKE

- (10) **53141-376-000**
PIPE, THROTTLE GRIP

- (11) **53165-KB2-000**
GRIP, R. HANDLE

- (12) **53166-KB2-000**
GRIP, L. HANDLE

www.ustGP.com

- (13) **53167-KA2-000**
HOUSING, THROTTLE

- (14) **53168-KA2-000**
HOUSING, THROTTLE

- (15) **53169-KA2-000**
SLIDER, THROTTLE

- (16) **53171-KE1-000**
BRKT, R. HANDLEBAR

- (17) **53172-KE1-000**
BRKT, L. HANDLEBAR

- (18) **53173-KE1-000**
HOLDER, R.

- (19) **53174-KE1-000**
HOLDER, L.

- (20) **53175-KE1-000**
LEVER, R.
HANDLEBAR

- (21) **53176-KE1-000**
COVER, R.

- (21) **53176-KG1-000**
COVER, R.

- (22) **53177-430-000**
COVER, L.
HANDLEBAR

- (23) **53178-KE1-000**
LEVER, L.
HANDLEBAR

- (24) **53192-268-000**
BOLT, CABLE ADJ.

- (25) **88110-195-000**
MIRROR, R.

- (26) **90113-KA3-710**
BOLT, HANDLEBAR

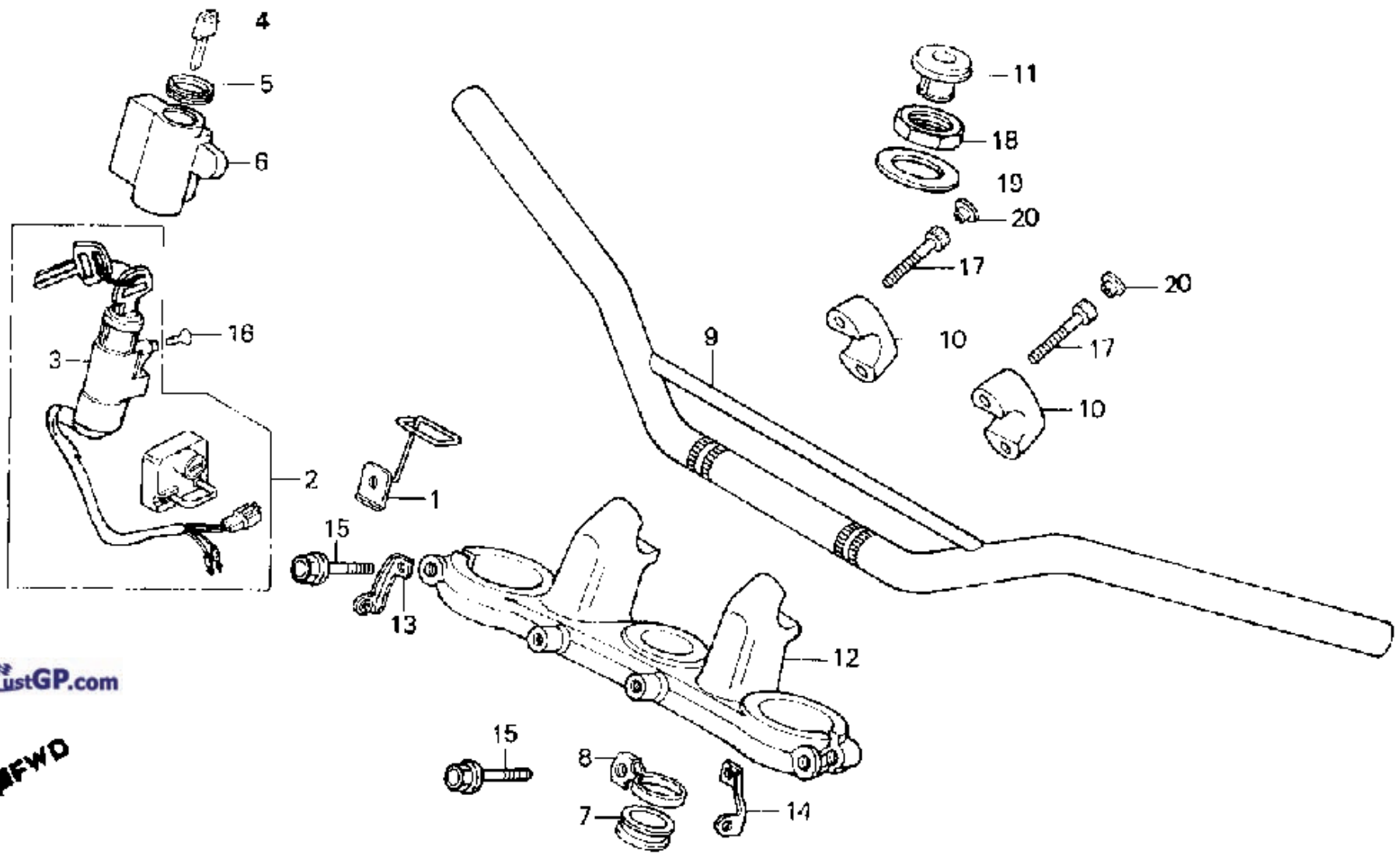
- (27) **90321-315-670**
NUT, FIXING

- (28) **93500-05016-0G**
SCREW, PAN
(5X16)

- (29) **93500-05020-0G**
SCREW, PAN
(5X20)


- (30) **93901-32320**
SCREW, TAP
(3X12)

- (31) **94050-06000**
NUT, FLANGE
(6MM)



www.ustGP.com

← FWD

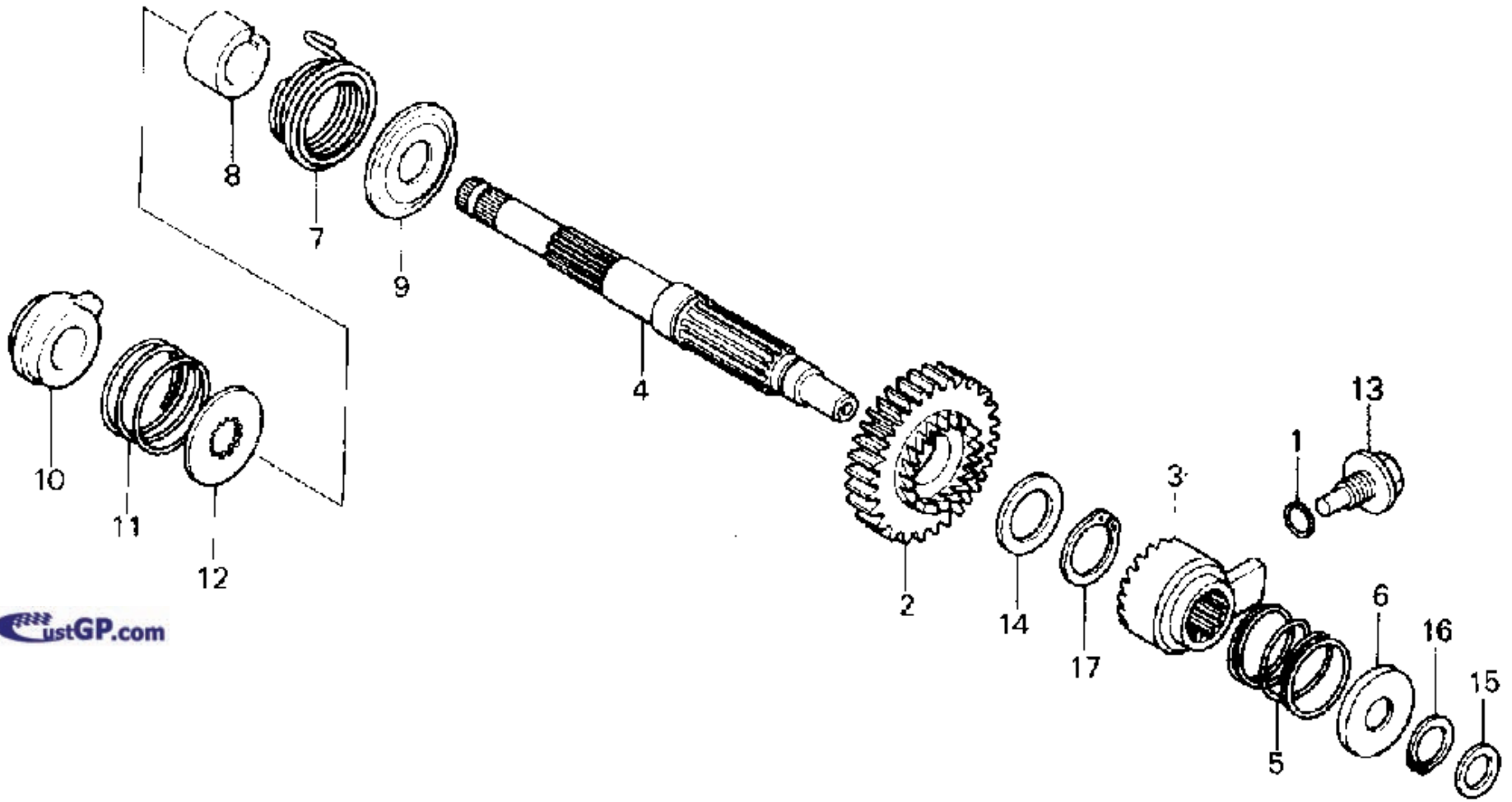
(1) 22875-KJ2-670 GUIDE, CLUTCH CABLE	(9) 53100-KJ3-700ZA HANDLEBAR *NH196*	
(2) 35010-KJ2-670 LOCK SET	(10) 53131-371-000 HOLDER, HANDLE	
(2) 35010-KJ2-671 LOCK SET	(11) 53208-KB7-870 CAP, STEERING STEM	
(2) 35010-KJ2-672 LOCK SET	(11) 53208-MC4-000 CAP, STEERING STEM	
(3) 35100-KJ2-671 SWITCH ASSY.	(12) 53230-KJ3-000 BRIDGE, FORK TOP	
(4) 35121-KJ2-811 KEY, BLANK (TYPE1)	(13) 61307-KJ2-000 STAY, R.	
(4) 35121-KW3-771 KEY, BLANK (TYPE1)	(14) 61308-KJ2-000 STAY, L.	
(4) 35122-KJ2-811 KEY, BLANK (TYPE2)	(15) 90103-KF0-000 BOLT, FLANGE (8X45)	
(4) 35122-KW3-771 KEY, BLANK (TYPE2)	(16) 90164-028-000 SCREW (6X12)	
(5) 37312-KB7-008 GROMMET	(17) 90185-371-000 BOLT (8X32)	
(6) 37622-KJ2-000 CVR, IGNITION SWITCH	(18) 90304-KA2-000 NUT, STEERING STEM	
(6) 37622-KR8-760 CVR, IGNITION SWITCH	(19) 90503-428-900 WASHER	
(7) 45466-329-000 GUIDE, CABLE (INNER)	(20) 91456-371-770 CAP, SOCKET BOLT	
(8) 45469-KJ2-000 GUIDE		
(9) 53100-KJ2-670 HANDLEBAR		
		

15. Selection table for lock or blank key

Refer to the following selection table to select the lock or blank key.

Type	Key No.
TYPE 1	A** , B**
TYPE 2	C** , D**

*: 0, 1, 2, 3, 4, 5, 6, 7, 8 or 9



← FWD

- (1) **16997-357-003**
O-RING (11.8X2.4)

- (1) **91302-ZE9-000**
O-RING (11.8X2.4)

- (1) **91302-ZE9-003**
O-RING (11.8X2.4)

- (1) **91320-HA5-000**
O-RING (11.8X2.4)

- (1) **91320-HA5-003**
O-RING (11.8X2.4)

- (1) **91320-MJ6-003**
O-RING (11.8X2.4)

- (2) **28211-437-000**
PINION (30T)

- (3) **28221-437-000**
RATCHET

- (4) **28251-KT0-000**
SPINDLE

- (5) **28253-KA2-000**
SPRING

- (6) **28254-437-000**
SEAT, RATCHET
SPRING

- (7) **28261-437-000**
SPRING, KICK STARTER

- (8) **28262-437-000**
COLLAR, KICK SPINDLE

- (9) **28263-437-000**
RETAINER

- (10) **28272-427-000**
CAM, KICK SHAFT

- (11) **28283-428-000**
SPRING, CAM RESET

- (12) **28284-KG1-000**
SEAT

- (13) **90004-KJ2-000**
BOLT, KICK
RATCHET

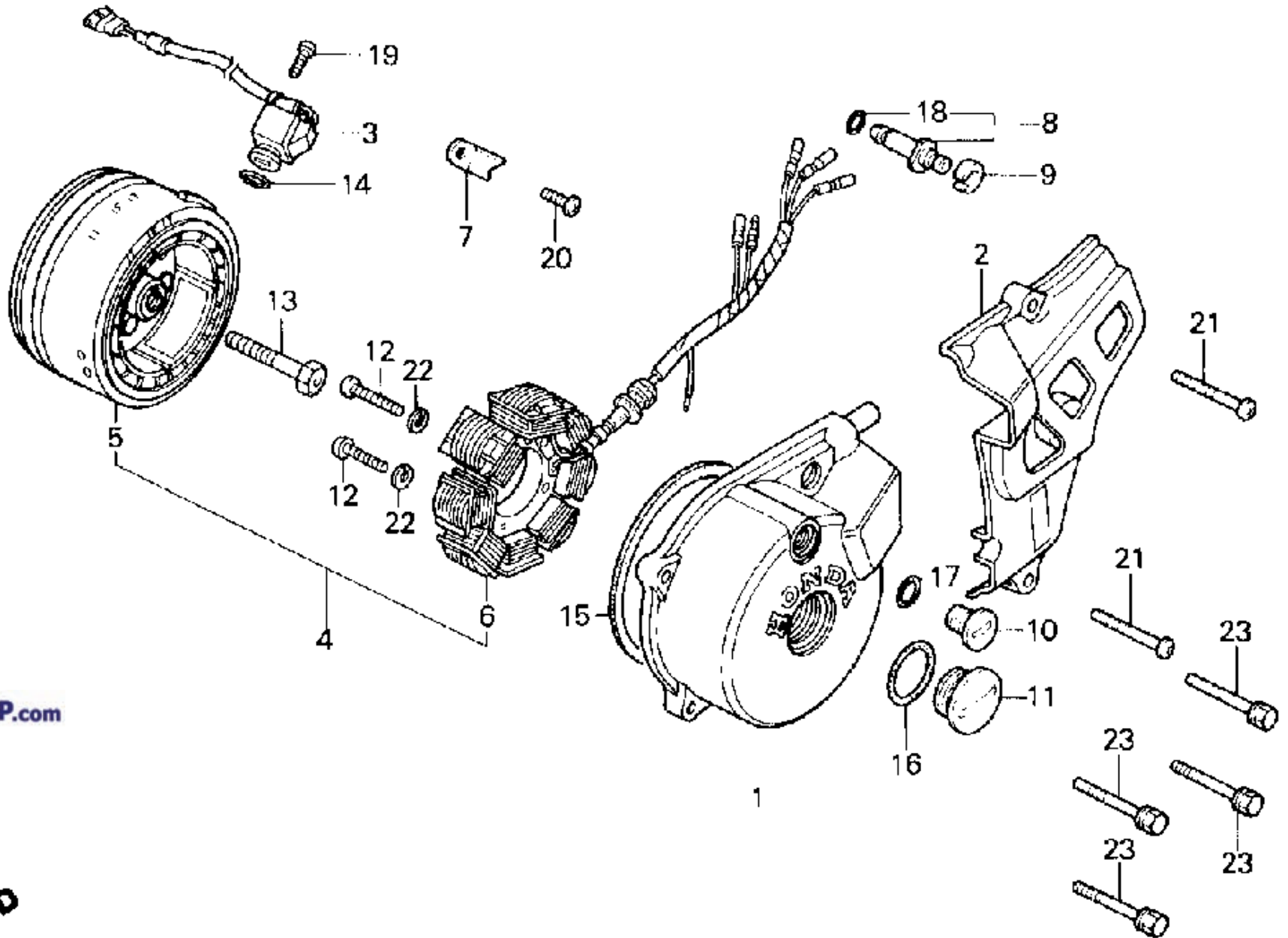
- (14) **90453-107-000**
WASHER A (20MM)

- (15) **90459-107-000**
WASHER (12MM)

- (16) **94510-16000**
CIRCLIP (16MM)

- (17) **94510-20000**
CIRCLIP (20MM)

www.ustGP.com



www.ustGP.com

← FWD

- (1) **11341-KR5-000**
COVER, L.
CRANKCASE

- (2) **11361-KJ2-000**
COVER, L. RR.

- (2) **11361-KJ2-010**
COVER, L. RR.

- (3) **30300-KJ2-670**
GENERATOR, PULSE

- (3) **30300-KJ2-671**
GENERATOR, PULSE

- (4) **31100-KJ2-671**
ALTERNATOR ASSY.

- (5) **31110-KJ2-671**
FLYWHEEL

- (6) **31120-KJ2-671**
STATOR

- (7) **32976-107-000**
CLAMP, WIRE
HARNES

- (7) **32976-107-010**
CLAMP, WIRE
HARNES

- (8) **35750-001-020**
CONTACT ASSY.

- (9) **35752-KCT-690**
SPACER

- (9) **35752-028-300**
SPACER

www.ustGP.com

- (10) **90084-471-000**
CAP, ALTERNATOR

- (11) **90087-471-000**
CAP (30MM)

- (12) **90092-KE5-000**
BOLT

- (13) **90123-402-700**
BOLT, ROTOR SETTING

- (14) **91212-KJ2-000**
O-RING (14.8X2.4)

- (15) **91302-107-010**
GASKET, L.

- (15) **91302-355-000**
GASKET, L.

- (16) **91302-567-003**
O-RING (27.4X2.4)

- (17) **91303-377-000**
O-RING (13.8X2.5)

- (18) **91312-107-000**
O-RING (7X1.7)

- (19) **93500-05016-0A**
SCREW, PAN (5X16)

- (20) **93500-06012-0A**
SCREW, PAN (6X12)

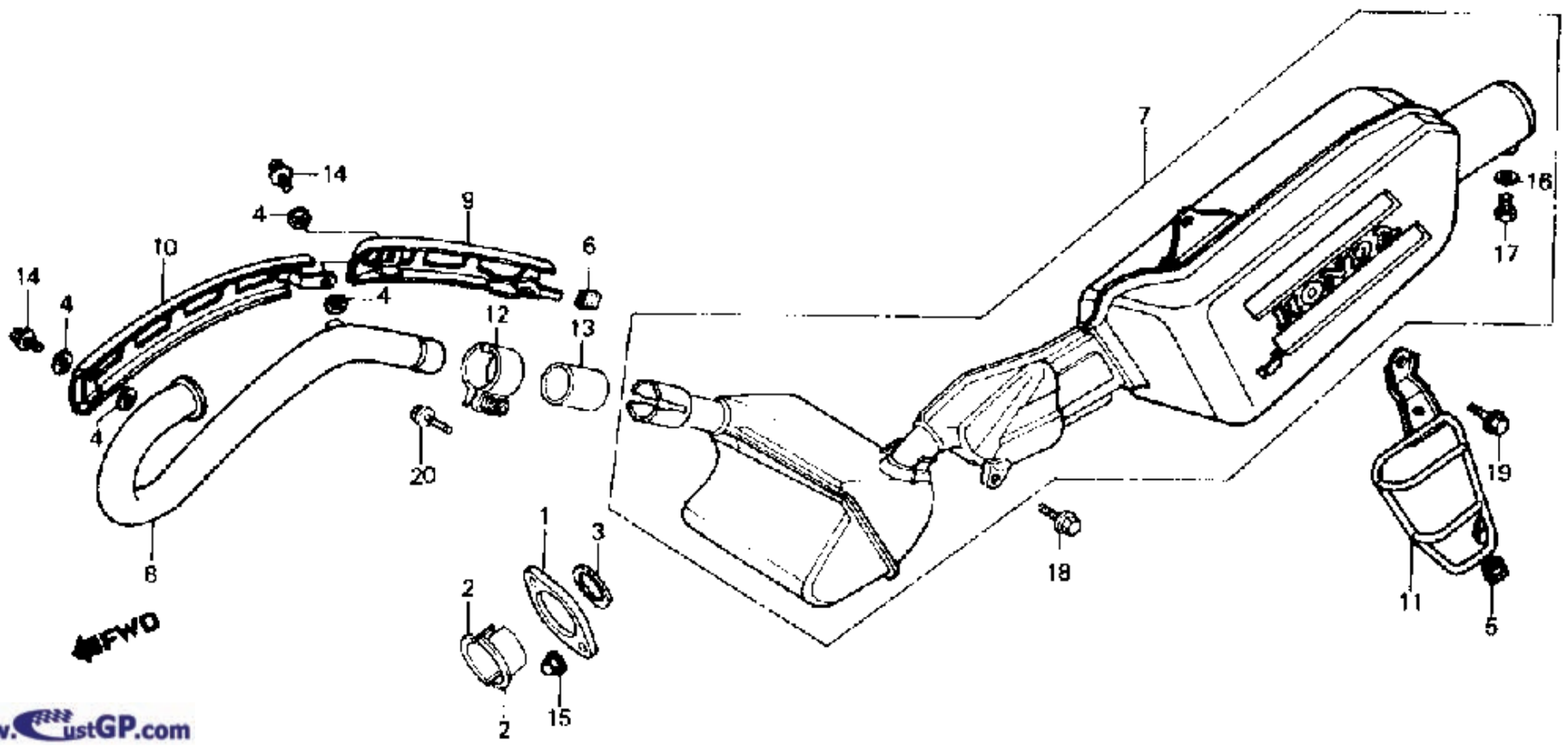
- (21) **93500-06025**
SCREW, PAN (6X25)

- (21) **93500-06025-0A**
SCREW, PAN (6X25)

- (22) **94111-05000**
WASHER, SPRING
(5MM)

- (23) **96000-06025-00**
BOLT, FLANGE (6X25)

- (23) **96001-06025-00**
BOLT, FLANGE (6X25)



- (1) **18231-355-000**
JOINT, EX. PIPE

- (2) **18233-107-000**
COLLAR, EX. JOINT

- (3) **18291-216-000**
GASKET, EX. PIPE

- (4) **18292-KF9-900**
GASKET, PROTECTOR

- (4) **18292-MM9-740**
GASKET, PROTECTOR

- (4) **18292-415-000**
GASKET, PROTECTOR

- (5) **18293-GE8-000**
RUBBER

- (5) **18293-147-000**
RUBBER

- (6) **18293-147-000**
RUBBER

- (7) **18310-KJ2-670**
MUFFLER, EX.

- (8) **18320-KJ2-670**
PIPE, EX.

- (9) **18325-KJ2-000**
PROTECTOR, EX. PIPE

- (10) **18335-KJ2-670**
PROTR, FR. EX. PIPE

- (11) **18355-KJ2-670**
PROTECTOR,
MUFFLER

- (12) **18371-KA2-000**
BAND, MUFFLER



- (12) **18371-VM5-000**
BAND, MUFFLER

- (13) **18391-437-000**
GASKET, MUFFLER

- (13) **18391-KJ3-700**
GASKET, MUFFLER

- (13) **18391-KR9-000**
GASKET, MUFFLER

- (14) **90110-HA0-000**
SCREW-WASHER
(6X10)

- (14) **90136-415-740**
SCREW, PAN (6X10)

- (15) **90304-438-000**
NUT, CAP (6MM)

- (16) **90508-VM6-003**
WASHER, PLAIN
(10MM)

- (17) **92000-10012-0G**
BOLT, HEX. (10X12)

- (17) **92101-10012-0G**
BOLT, HEX. (10X12)

- (18) **96300-06012-00**
BOLT, FLANGE (6X12)

- (18) **96500-06012-00**
BOLT, FLANGE (6X12)

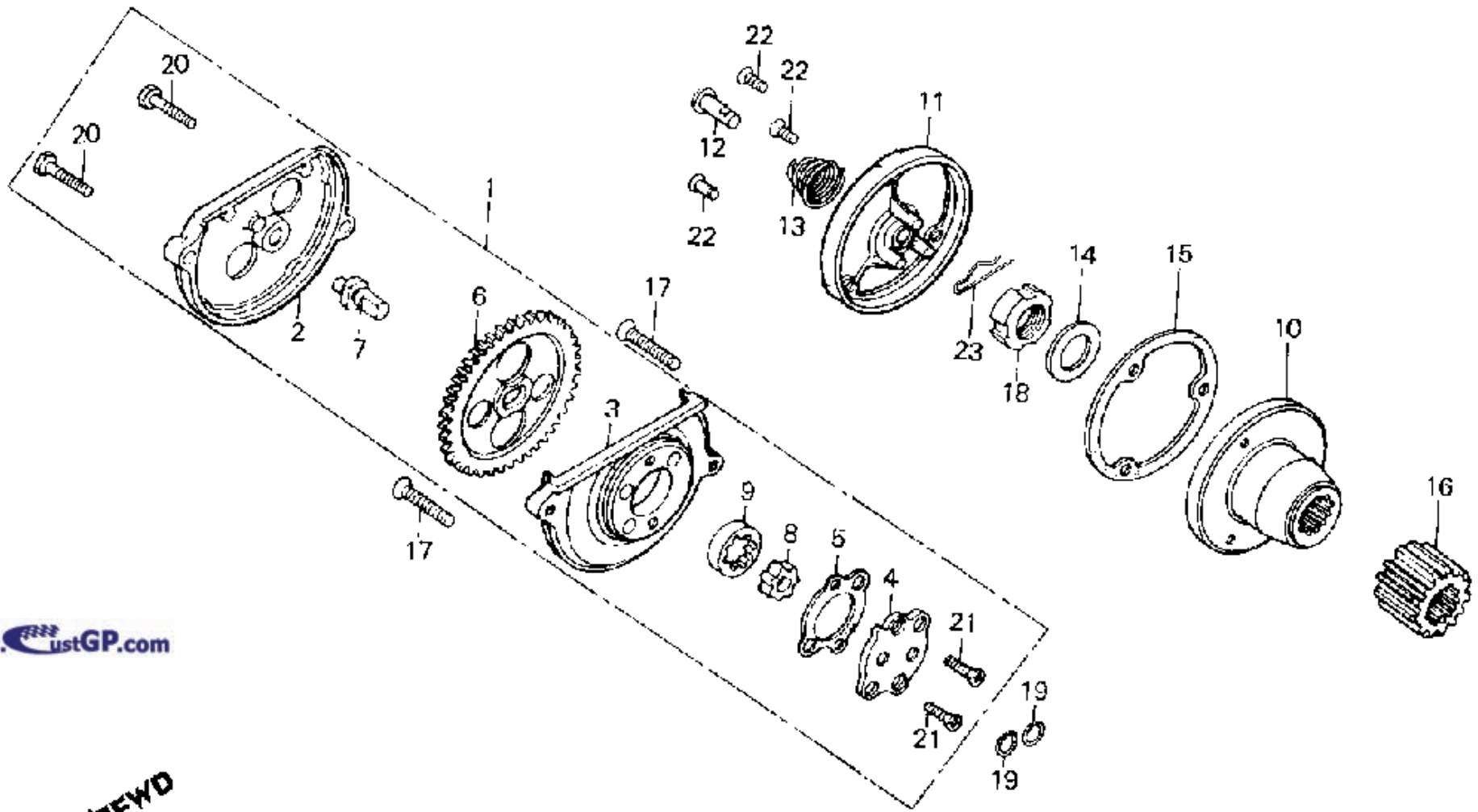
- (19) **96300-08016-00**
BOLT, FLANGE (8X16)

- (19) **96400-08016-00**
BOLT, FLANGE (8X16)

- (19) **96500-08016-00**
BOLT, FLANGE (8X16)

- (20) **96300-08032-00**
BOLT, FLANGE (8X32)

- (20) **96500-08032-00**
BOLT, FLANGE (8X32)



www.CustGP.com

← FWD

- (1) **15100-KB5-721**
PUMP ASSY., OIL

- (1) **15100-KG1-670**
PUMP ASSY., OIL

- (2) **15106-330-010**
COVER, OIL PUMP
GEAR

- (3) **15111-KBB-900**
BODY, OIL PUMP

- (3) **15111-KW1-900**
BODY, OIL PUMP

- (3) **15111-440-010**
BODY, OIL PUMP

- (4) **15116-107-020**
PLATE, OIL PUMP

- (5) **15126-107-020**
GASKET, OIL PUMP

- (6) **15131-KEH-900**
GEAR (37T)

- (6) **15131-437-010**
GEAR (37T)

- (7) **15136-383-000**
SHAFT, OIL PUMP

- (8) **15331-399-000**
ROTOR, OIL PUMP

- (9) **15332-399-000**
ROTOR, OIL PUMP

- (10) **15430-440-030**
ROTOR, OIL FILTER

www.mustGP.com

- (11) **15436-107-000**
CAP

- (12) **15441-KCS-650**
THROUGH, OIL

- (12) **15441-107-000**
THROUGH, OIL

- (13) **15446-107-000**
SPRING, OIL
THROUGH

- (14) **15451-107-000**
WASHER

- (15) **15459-KT0-710**
GASKET

- (15) **15459-107-000**
GASKET

- (15) **15459-107-306**
GASKET, OIL FILTER

- (16) **23121-437-010**
GEAR (21T)

- (17) **90101-440-000**
SCREW, FLAT (6X30)

- (18) **90231-KCS-651**
NUT, LOCK (16MM)

- (18) **90231-200-010**
NUT, LOCK (16MM)

- (19) **91304-KK3-830**
O-RING (9.4X2.4)

- (19) **91304-107-000**
O-RING (9.4X2.4)

- (20) **92000-05020-0A**
BOLT, HEX. (5X20)

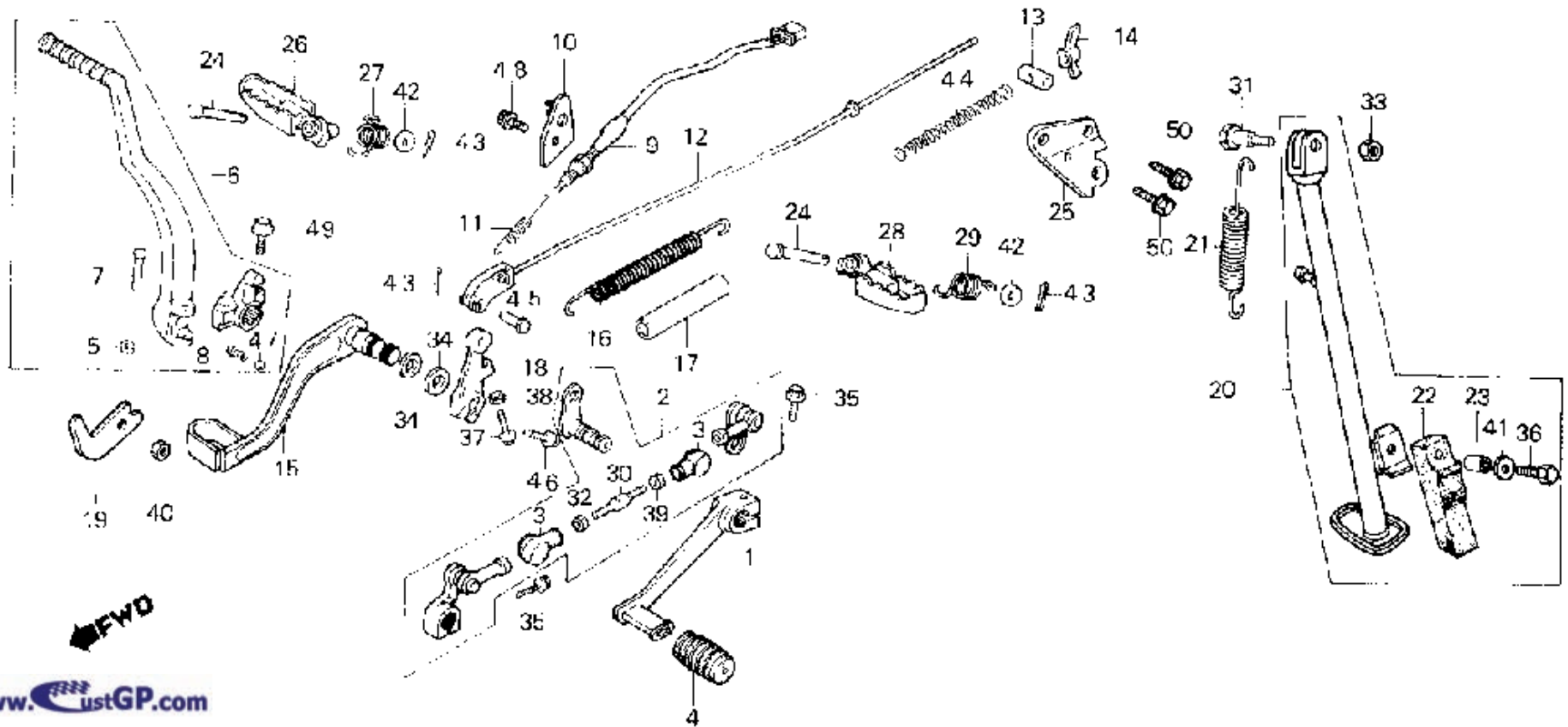
- (20) **92101-05020-0A**
BOLT, HEX. (5X20)

- (20) **92301-05020-0A**
BOLT (5X20)

- 21) **93600-04012-1A**
SCREW, FLAT
(4X12)

- (22) **93700-05012-0A**
SCREW, OVAL
(5X12)

- (23) **94251-08000**
PIN, LOCK (8MM)



(1)	24700-KJ3-000 PEDAL, GEARSHIFT
(2)	24720-KJ2-000 LINK, GEARSHIFT
(2)	24720-KJ2-010 LINK, GEAR CHANG
(3)	24724-422-000 COVER, DUST

(13)	43454-KA4-700 JOINT, BRAKE ARM
(14)	43459-434-000 NUT, BRAKE ADJUST
(15)	46500-KJ2-670ZA PEDAL, RR. *NH1*
(16)	46514-KJ2-000 SPRING, BRAKE

(26)	50616-428-000 FOOTPEG, R.
(27)	50617-MM9-000 SPRING, R.
(27)	50617-329-000 SPRING, R.
(28)	50642-KJ2-000 STEP, L.

(36)	92100-06028 BOLT, HEX. (6X28)
(36)	92101-06028-0A BOLT, HEX. (6X28)
(37)	92020-06020-0A BOLT, HEX. (6X20)
(37)	92101-06020-0A BOLT, HEX. (6X20)

(44)	95014-73100 SPRING A, BRAKE ROD
(45)	95015-52000 PIN B
(46)	95700-06022-00 BOLT, FLANGE (6X22)
(46)	95701-06022-00

(4) **24781-449-000**
RUBBER, GEARSHIFT

(5) **28293-124-000**
CLIP

(6) **28300-KJ2-000**
ARM, KICK STARTER

(6) **28300-KJ2-670**
ARM, KICK STARTER

(7) **28321-427-770**
PIN, KICK STARTER

(8) **28333-124-000**
SPRING

(9) **35350-KJ2-670**
SWITCH, RR. STOP

(9) **35350-KJ2-671**
SWITCH, RR. STOP

(10) **35351-KJ2-670ZA**
STAY *R119*

(11) **35357-KR3-670**
SPRING, STOP SWITCH

(12) **43451-KJ2-000**
ROD, RR. BRAKE

www.custGP.com

PEDAL

(17) **46515-KB9-000**
TUBE

(18) **46516-KJ2-000**
ARM, RR.

(18) **46516-KJ2-010**
ARM, RR.

(19) **50131-KJ2-010**
STOPPER, KICK ARM

(20) **50540-KJ2-670ZA**
BAR ASSY. *NH35M*

(20) **50540-KJ2-671ZA**
BAR ASSY. *NH35M*

(21) **50535-429-000**
SPRING, SIDE STAND

(22) **50548-324-760**
RUBBER, STAND

(23) **50549-356-700**
COLLAR

(24) **50603-033-000**
PIN, STEP BAR JOINT

(24) **50603-033-010**
PIN, STEP BAR JOINT

(25) **50611-KJ2-670ZA**
BRACKET *NH35M*

(26) **50616-KJ2-000**
STEP, R.

(29) **50644-MM9-000**
SPRING, L.

(29) **50644-329-000**
SPRING, L.

(30) **90065-KC1-000**
BOLT, TIE ROD

(31) **90108-KG0-000**
SCREW

(32) **90201-KC1-000**
NUT, TIE ROD

(33) **90304-GE8-003**
NUT, U (10MM)

(34) **91251-444-000**
DUST SEAL

(35) **92000-06020**
BOLT, HEX.
(6X20)

(35) **92000-06020-0A**
BOLT, HEX.
(6X20)

(35) **92101-06020-0A**
BOLT, HEX.
(6X20)

(36) **92000-06028**
BOLT, HEX.
(6X28)

(36) **92000-06028-0A**
BOLT, HEX.
(6X28)

(38) **94002-06000-0S**
NUT, HEX. (6MM)

(38) **94001-06000-0S**
NUT, HEX. (6MM)

(38) **94001-06200-0S**
NUT, HEX. (6MM)

(39) **94002-06070-0S**
NUT, HEX. (6MM)

(40) **94050-08000**
NUT, FLANGE (8MM)

(41) **94101-06000**
WASHER, PLAIN
(6MM)

(41) **94101-06080**
WASHER, PLAIN
(6MM)

(41) **94101-06800**
WASHER, PLAIN
(6MM)

(42) **94102-08000**
WASHER, PLAIN
(8MM)

(43) **94201-16150**
PIN, COTTER (1.6X15)

(43) **94201-16250**
PIN, COTTER (1.6X25)

BOLT, FLANGE (6X22)

(47) **96211-08000**
BALL (#8) (1/4)

(48) **96300-06010-00**
BOLT, FLANGE (6X10)

(48) **96500-06010-00**
BOLT, FLANGE (6X10)

(49) **96300-08025-00**
BOLT, FLANGE (8X25)

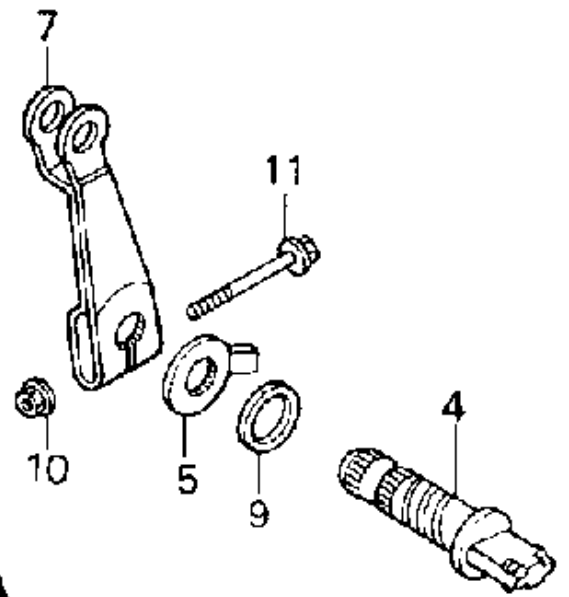
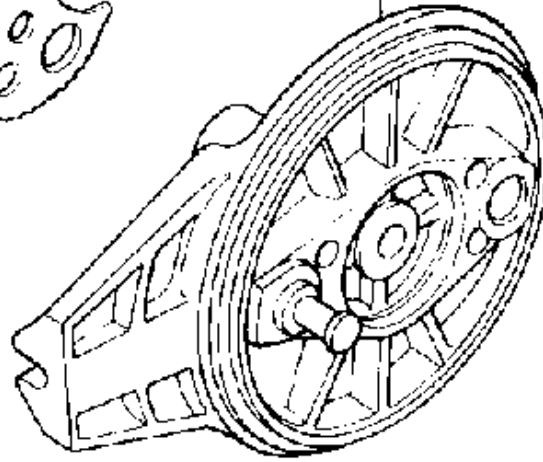
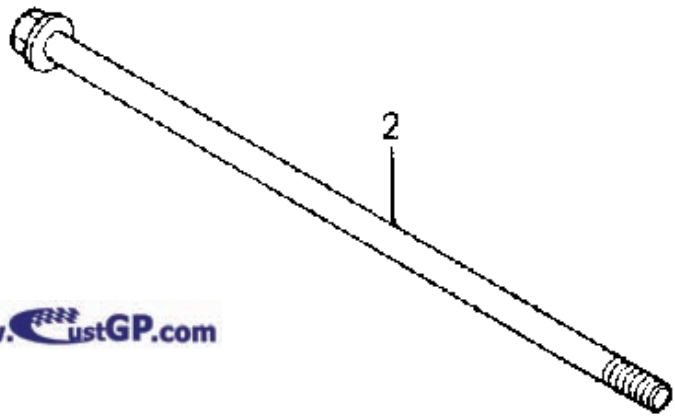
(49) **96400-08025-00**
BOLT, FLANGE (8X25)

(49) **96500-08025-00**
BOLT, FLANGE (8X25)

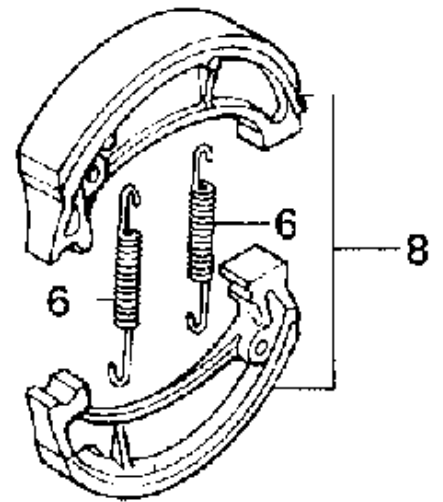
(50) **96300-08032-00**
BOLT, FLANGE (8X32)

(50) **96500-08032-00**
BOLT, FLANGE (8X32)

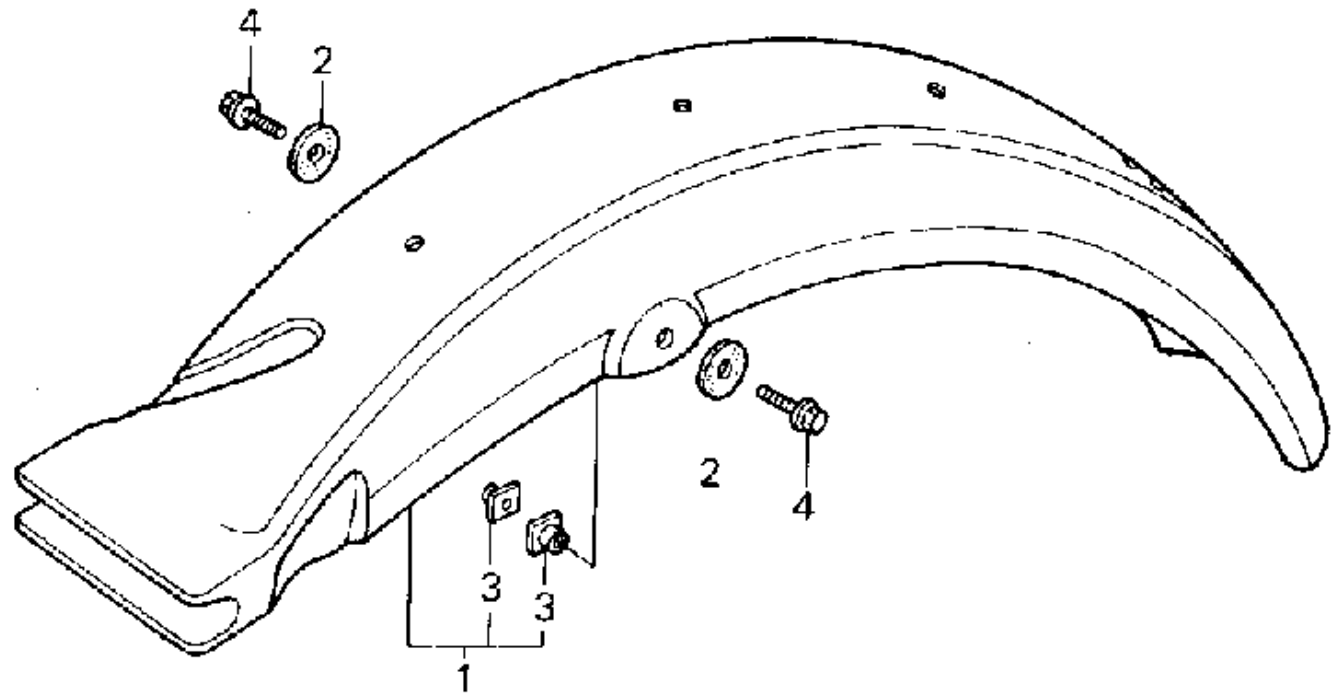
www.CustGP.com



← FWD



(-)	06430-KJ2-003 SHOE KIT, BRAKE
(-)	06450-KJ2-305 SHOE SET, BRAKE
(-)	06450-KJ2-405 SHOE SET, BRAKE
(-)	451A2-KJ2-003 SHOE KIT, BRAKE
(1)	40544-KJ2-000 ADJUSTER, CHAIN
(2)	42301-KJ2-000 AXLE, RR. WHEEL
(3)	43100-KJ2-000 PANEL, RR. BRAKE
(4)	43141-KJ2-000 CAM, RR. BRAKE
(5)	43145-400-000 INDICATOR, RR. BRAKE
(6)	43151-GC4-000 SPRING, BRAKE SHOE
(7)	43410-KJ2-405 ARM, RR. BRAKE
(7)	43410-KJ2-670 ARM, RR. BRAKE
(8)	45120-KJ2-003 SHOE KIT, BRAKE
(8)	45120-KJ2-004 SHOE KIT, BRAKE
(9)	45134-KB7-005 DUST SEAL, BRAKE CAM
(10)	94050-06000 NUT, FLANGE (6MM)
(11)	96000-06032-00 BOLT, FLANGE (6X32)
(11)	96001-06032-00 BOLT, FLANGE (6X32)



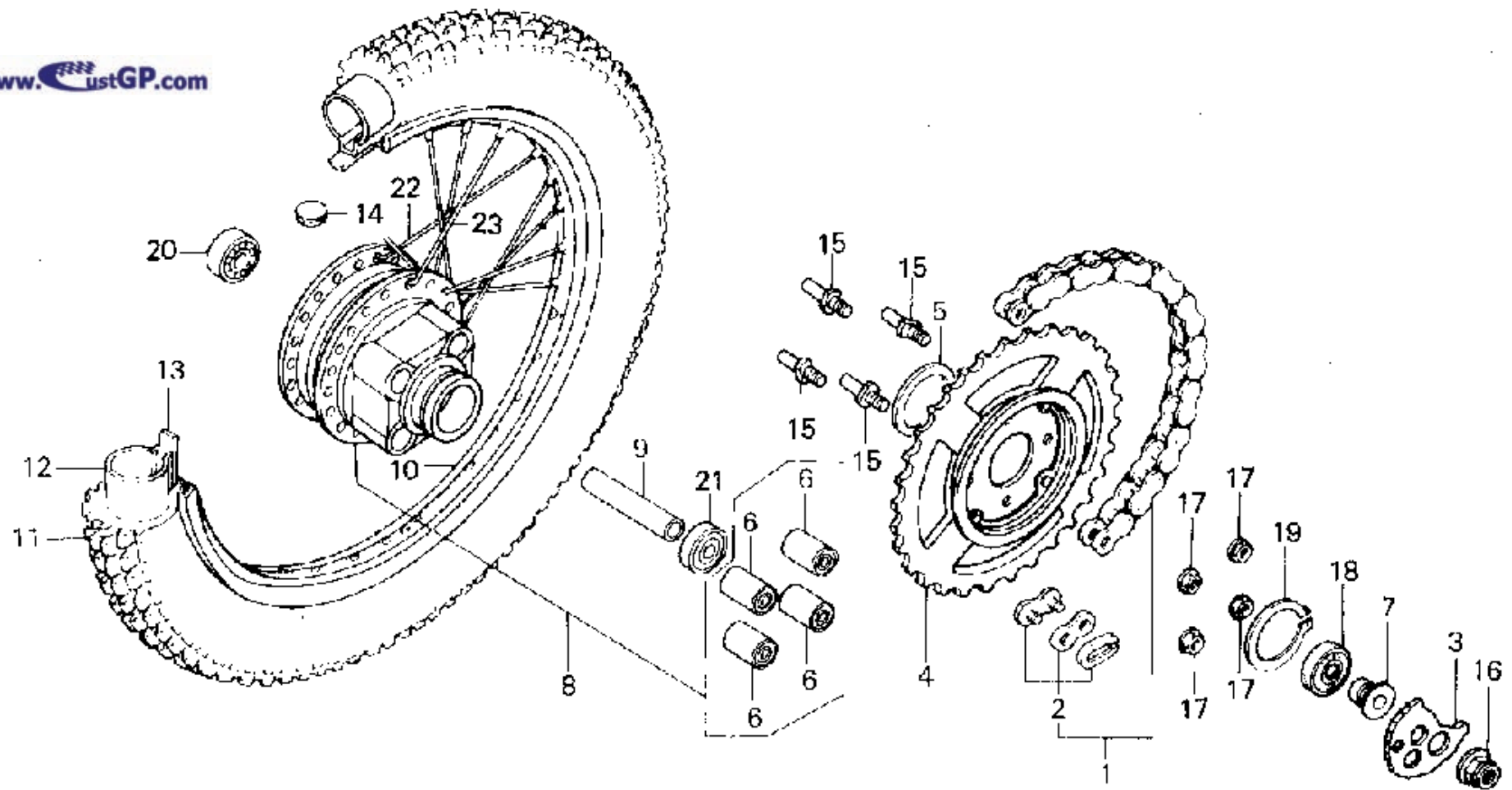
(1) **80101-KJ2-670ZA**
FENDER, RR.
NH111

(2) **80103-KJ2-000**
RUBBER, RR.
FENDER

(3) **80104-KJ2-000**
NUT, RR. FENDER

(4) **96300-06028-00**
BOLT, FLANGE (6X28)

(4) **96500-06028-00**
BOLT, FLANGE (6X28)



← FWD

- (1) **405W3-434-505**
CHAIN, DRIVE (102L)

- (1) **40530-KJ2-003**
CHAIN (520DS-96LT)

- (1) **40530-KJ2-005**
CHAIN (520M-96LJ)

- (2) **40531-KA3-711**
MASTER LINK

- (2) **40531-KA3-712**
MASTER LINK

- (3) **40544-KJ2-000**
ADJUSTER, CHAIN

- (4) **41200-KJ2-000**
SPROCKET (44T)

- (5) **41212-KJ2-000**
SPACER

- (6) **41241-307-010**
BUSH, RR.

- (7) **42311-KJ2-000**
COLR, RR. WHEEL
SIDE

- (8) **42610-KJ2-000**
HUB, RR. WHEEL

- (9) **42620-KJ2-000**
COLLAR, RR.

- (10) **42701-KJ2-670**
RIM, RR. WHEEL

- (11) **42711-KR8-004**
TIRE (4.00-18) (4PR)

- (12) **42712-KS7-641**
TUBE (110/100-18)

www.mustGP.com

- (12) **42712-KT1-671**
TUBE (100/100-18)

- (12) **42712-KV6-009**
TUBE, TIRE (4.60-18)

- (12) **42712-300-004**
TUBE (3.75/4.00-18)

- (12) **42712-400-003**
TUBE, TIRE (4.10-18)

- (13) **42713-300-004**
FLAP, TIRE (2.15-18)

- (14) **42717-310-000**
CAP, RIM HOLE

- (15) **90128-382-670**
BOLT

- (15) **90128-446-770**
BOLT

- (16) **90306-KF0-003**
NUT, FLANGE
(12MM)

- (17) **90308-382-670**
NUT, FLANGE
(10MM)

- (18) **90755-GC4-003**
DUST SEAL

- (18) **90755-GC4-005**
DUST SEAL

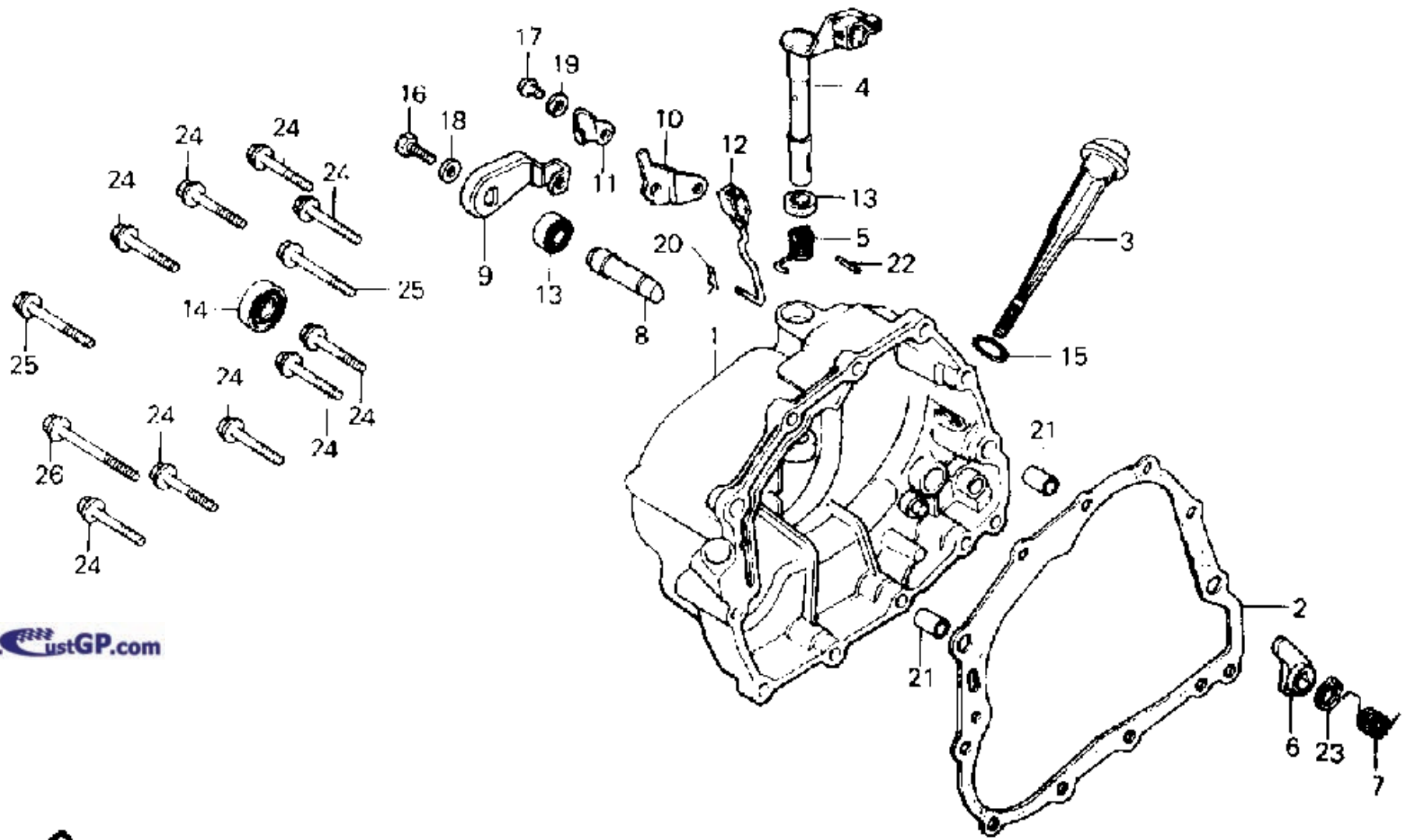
- (19) **94511-50000**
CIRCLIP (50MM)

- (20) **96140-62010-10**
BEARING (6201U)

- (21) **96140-63010-10**
BEARING (6301U)

- (22) **97336-52225-P0**
SPOKE SET B

- (23) **97772-52224-P0**
SPOKE SET B
(9X192)



www.CustGP.com

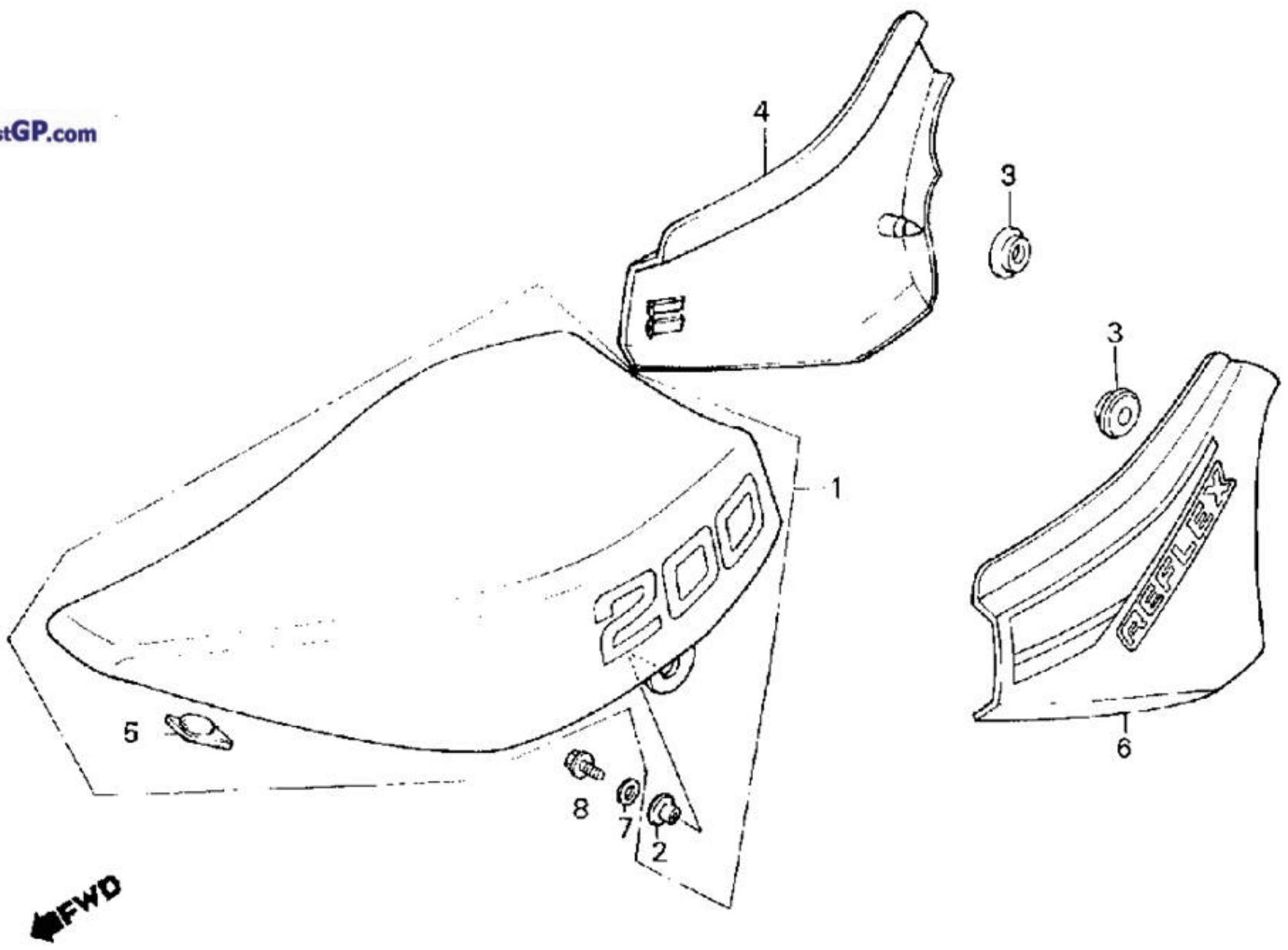
← FWD

- (1) **11330-KJ2-000**
COVER, R. CRANKCASE
- (2) **11393-KT0-710**
GASKET, R.
- (2) **11393-437-000**
GASKET, R.
- (2) **11393-437-010**
GASKET, R.
- (2) **11393-437-306**
GASKET, R.
- (3) **15650-KB9-000**
DIPSTICK, OIL
- (4) **22810-KJ2-000**
LEVER, CLUTCH
- (5) **22815-KJ2-000**
SPRING, CLUTCH LEVER
- (6) **28271-427-000**
FOLLOWER, CAM
- (7) **28274-427-000**
SPRING, FOLLOWER
- (8) **28281-427-000**
SHAFT, FOLLOWER
- (9) **28282-KJ2-000**
ARM, CAM FOLLOWER
- (10) **28287-427-000**
RECEIVER, DECOMP
CBL

www.mustGP.com

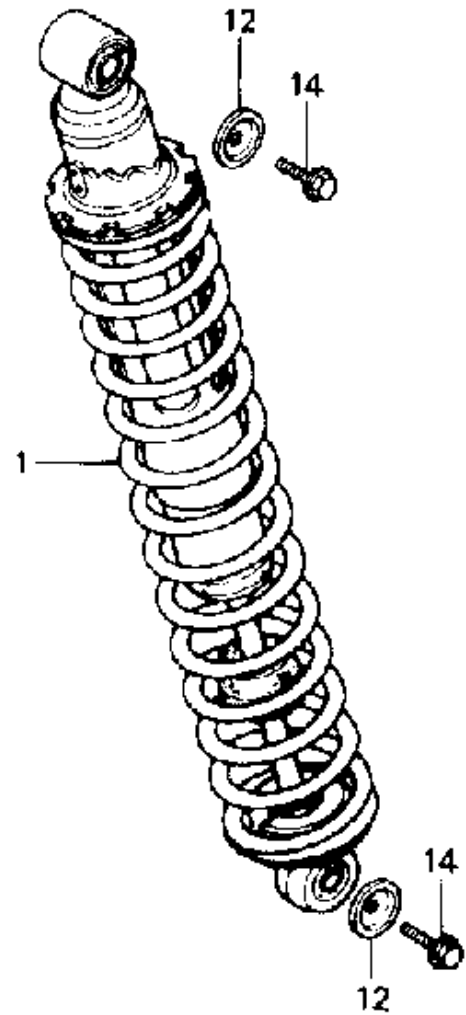
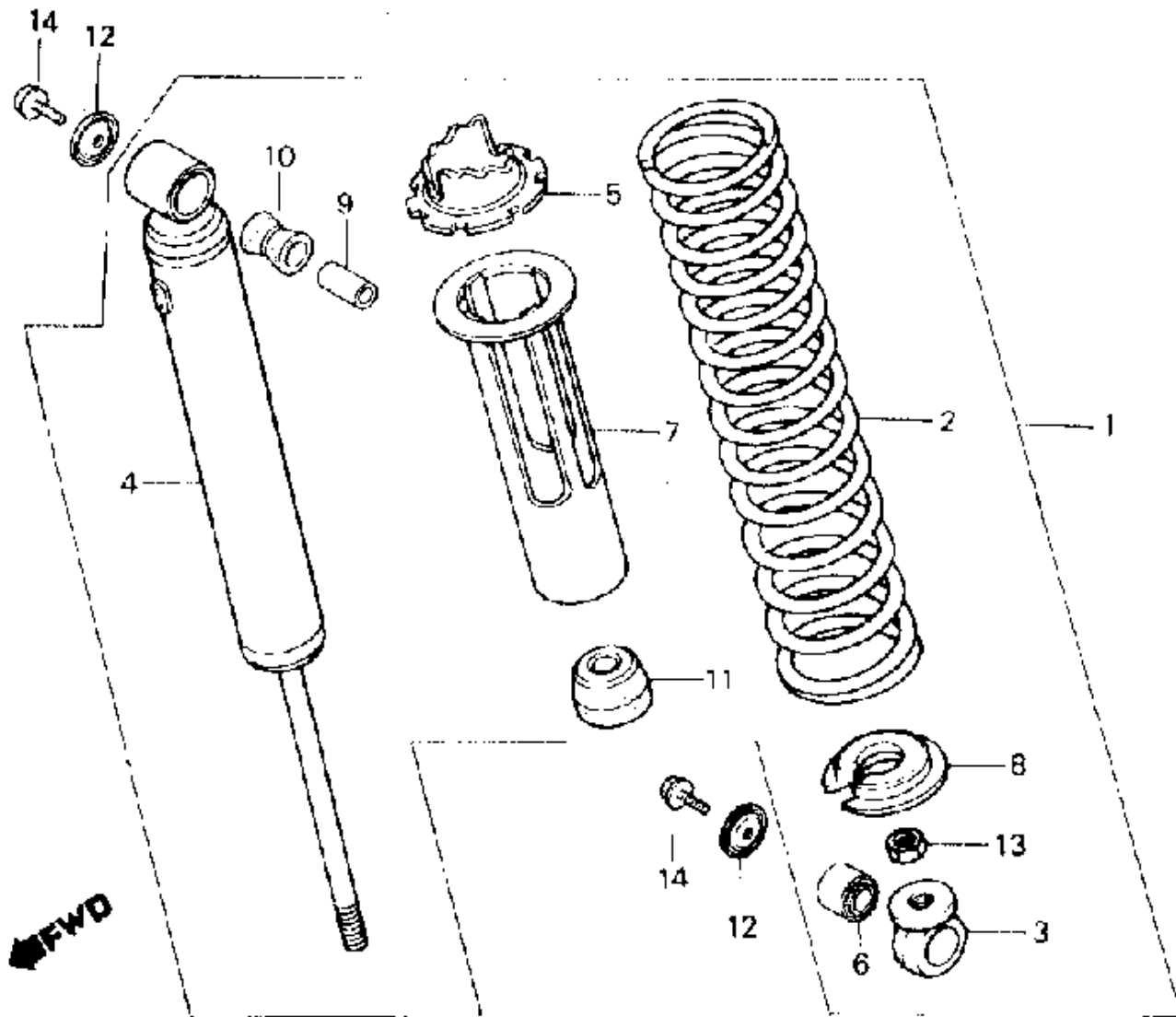
- (11) **28288-427-000**
CLAMP
- (12) **28289-427-000**
ROD,
DECOMPRESSION
- (13) **91201-148-003**
OIL SEAL (12X22X5)
- (13) **91201-148-005**
OIL SEAL (12X22X5)
- (13) **91201-965-000**
OIL SEAL (12X22X5)
- (14) **91204-MC7-003**
OIL SEAL (16X28X7)
- (14) **91204-259-003**
OIL SEAL (16X28X7)
- (14) **91204-259-005**
OIL SEAL (16X28X7)
- (14) **91205-360-000**
OIL SEAL (16X28X7)
- (15) **91307-035-000**
O-RING (18X3)
- (16) **92000-06012**
BOLT, HEX. (6X12)
- (16) **92000-06012-0A**
BOLT, HEX. (6X12)
- (16) **92100-06012**
BOLT, HEX. (6X12)
- (16) **92101-06012**
BOLT, HEX. (6X12)
- (16) **92101-06012-0A**
BOLT, HEX. (6X12)
- (17) **93500-05012-0A**
SCREW, PAN (5X12)
- (18) **94101-06000**
WASHER, PLAIN (6MM)

- (18) **94101-06080**
WASHER, PLAIN (6MM)
- (18) **94101-06800**
WASHER, PLAIN (6MM)
- (19) **94111-05000**
WASHER, SPRING
(5MM)
- (20) **94251-04000**
PIN, LOCK (4MM)
- (21) **94301-08140**
DOWEL PIN (8X14)
- (22) **94305-30102**
PIN, SPRING (3X10)
- (23) **94510-10000**
CIRCLIP (10MM)
- (24) **96000-06025-00**
BOLT, FLANGE (6X25)
- (24) **96001-06025-00**
BOLT, FLANGE (6X25)
- (25) **96000-06035-00**
BOLT, FLANGE (6X35)
- (25) **96001-06035-00**
BOLT, FLANGE (6X35)
- (26) **96000-06050-00**
BOLT, FLANGE (6X50)
- (26) **96001-06050-00**
BOLT, FLANGE (6X50)

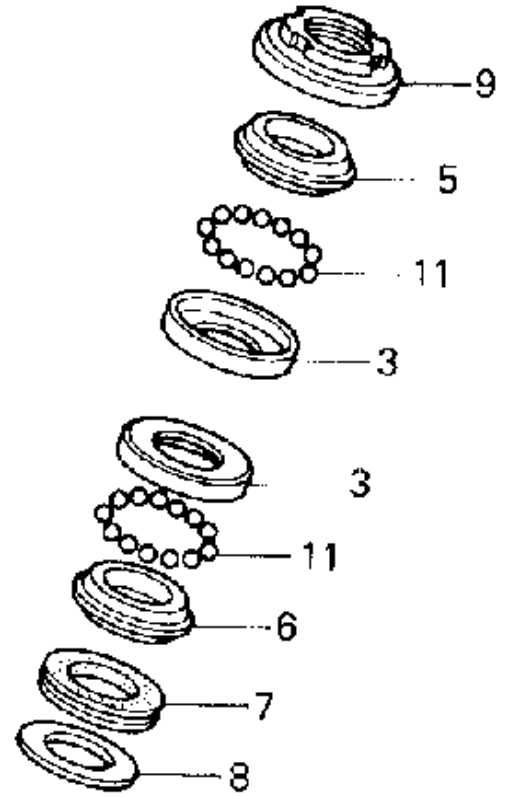
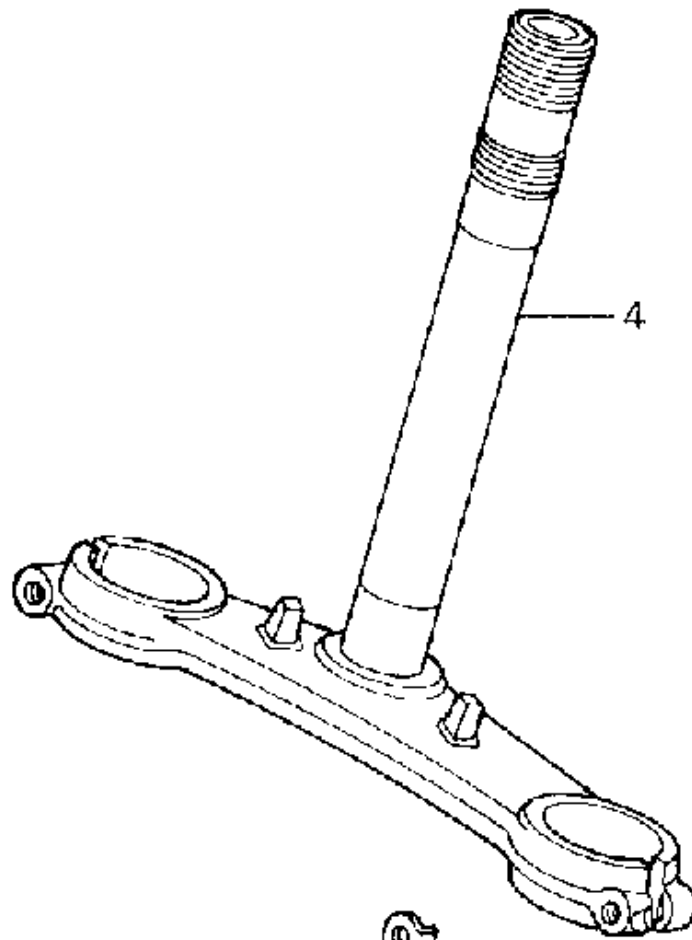


- | |
|--|
| (1) 77100-KJ2-670
SEAT, SINGLE |
| (2) 83515-428-000
COLLAR, TOOL BOX |
| (3) 83551-376-000
GROMMET, SIDE
COVER |
| (4) 836A1-KJ2-670ZA
CVR, R. SIDE *NH111* |
| (5) 83618-323-000
RUBBER, BATTERY
BOX |
| (6) 837A1-KJ2-670ZA
CVR, L. SIDE *NH111* |
| (7) 94103-06000
WASHER, PLAIN (6MM) |
| (8) 95700-06016-08
BOLT, FLANGE (6X16) |
| (8) 95701-06016-08
BOLT, FLANGE (6X16) |

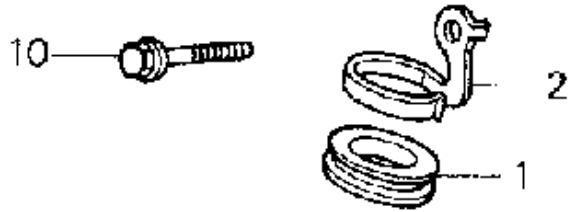
www.ustGP.com



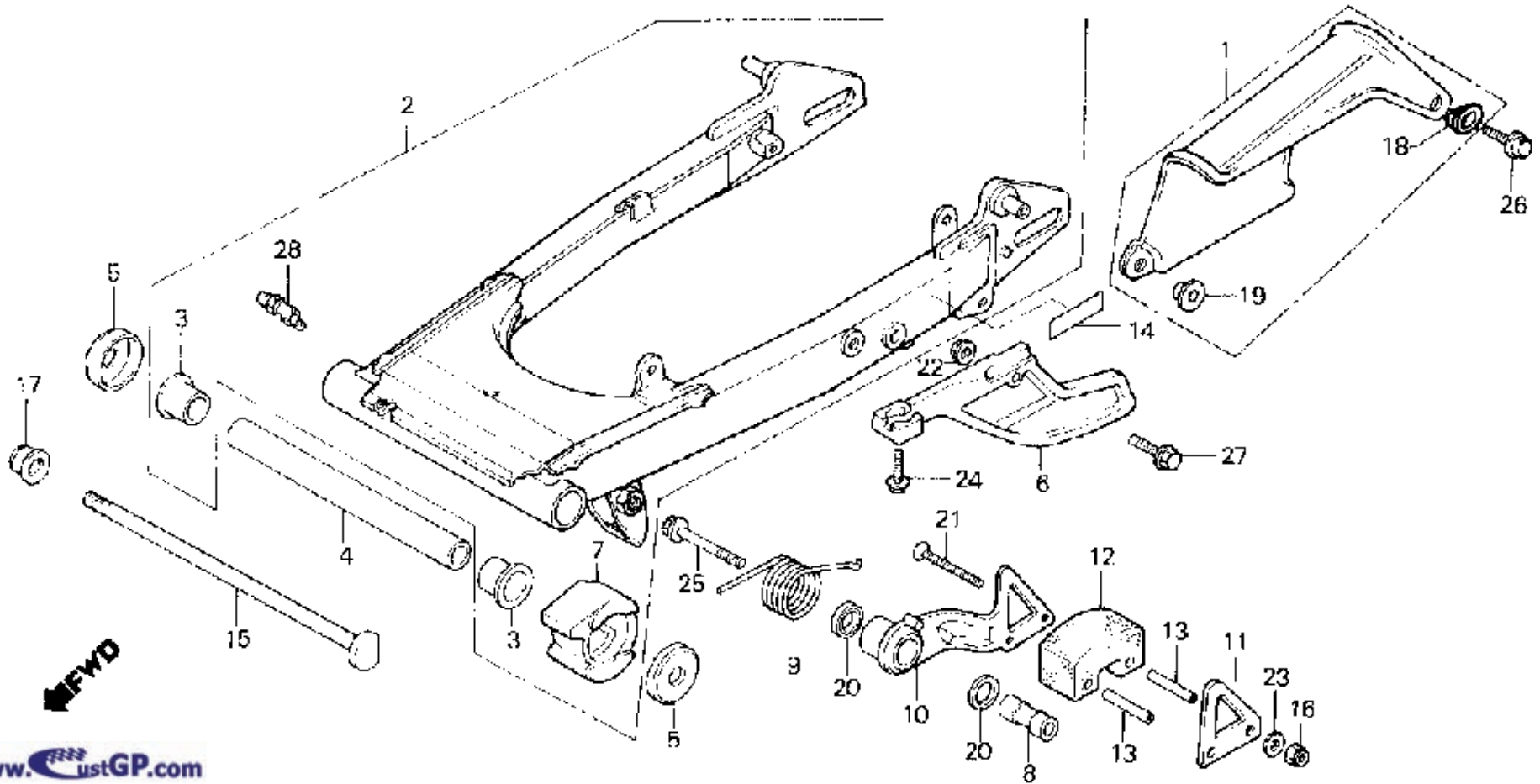
(1) 52400-KJ2-671 SHOCK ABSORBER, RR.		
(2) 52401-KJ2-003 SPRING, RR. SHOCK		
(3) 52403-KJ2-003 JOINT (LOWER)		
(4) 52410-KJ2-671 DAMPER, RR.		
(5) 52422-KJ2-003 ADJUSTER, SPRING		
(6) 52451-KJ2-003 BUSH, SHOCK ABSORBER		
(7) 52458-428-003 GUIDE, SPRING		
(8) 52459-KJ2-003 SEAT, SPRING (UPPER)		
(9) 52486-056-000 COLLAR, RR.		
(10) 52488-331-003 RUBBER B, JOINT		
(11) 52517-395-670 RUBBER, STOPPER		
(12) 90502-428-000 WASHER, RR. SHOCK		
(13) 94002-12000-0S NUT, HEX. (12MM)		
(14) 96000-06012-00 BOLT, FLANGE (6X12)		
(14) 96001-06012-00 BOLT, FLANGE (6X12)		



← FWD



- | | | |
|--|--|--|
| (1) 45466-329-000
GUIDE, CABLE (INNER) | | |
| (2) 45468-KJ3-000
GUIDE, BRAKE CABLE | | |
| (3) 50301-268-010
RACE, STEERING BALL | | |
| (4) 53200-KJ3-000
STEM, STEERING | | |
| (5) 53211-268-010
RACE, STEERING
CONE | | |
| (6) 53212-200-000
RACE, STEERING
CONE | | |
| (6) 53212-200-305
RACE, STEERING
CONE | | |
| (7) 53214-200-000
DUST SEAL | | |
| (8) 53215-200-000
WASHER | | |
| (9) 53220-286-000
THREAD (UPPER) | | |
| (10) 90103-KK4-000
BOLT, FLANGE (8X35) | | |
| (10) 96400-08035-00
BOLT, FLANGE (8X35) | | |
| (11) 96211-08000
BALL (#8) (1/4) | | |



IFWD

www.mustGP.com

(1) **40510-KJ2-000**
CASE, DRIVE CHAIN

(2) **52100-KJ2-000ZA**
SWINGARM *NH35M*

(3) **52109-GJ1-003**
BUSH, PIVOT THRUST

(4) **52121-KJ2-000**
COLLAR, SWINGARM

(5) **52144-360-000**
CAP, DUST SEAL

(5) **52144-360-003**
CAP, DUST SEAL

(5) **52144-360-005**
CAP

(6) **52156-KJ2-000**
GUARD, DRIVE CHAIN

(7) **52170-KJ2-000**
SLIDER, CHAIN

(8) **52171-434-020**
COLLAR

(9) **52174-434-000**
SPRING

(10) **52181-KJ2-000ZA**
TENSIONER *NH35M*

(11) **52182-KJ2-000ZA**
PLATE *NH35M*

(12) **52183-KJ2-000**
SLIPPER, TENSIONER

(13) **52184-KJ2-000**
COLR, CHAIN
SLIPPER

(14) **87505-KJ2-670**
MARK, TIRE CAUTION

www.ustGP.com

(15) **90121-KJ2-000**
BOLT, SWINGARM
PIVOT

(16) **90302-435-761**
NUT, HEX. (5MM)

(17) **90306-181-761**
NUT, FLANGE (12MM)

(18) **90512-300-000**
WASHER (6X20)

(19) **90513-323-000**
WASHER (6X9)

(20) **91201-434-003**
OIL SEAL (14X20X3)

(20) **91201-434-005**
OIL SEAL (14X20X3)

(21) **93600-05040-0A**
SCREW, FLAT (5X40)

(22) **94001-06000-0S**
NUT, HEX. (6MM)

(22) **94001-06200-0S**
NUT, HEX. (6MM)

(23) **94101-05000**
WASHER, PLAIN (5MM)

(24) **95701-06020-00**
BOLT, FLANGE (6X20)

(24) **95800-06020-00**
BOLT, FLANGE (6X20)

(25) **95800-08045-08**
BOLT, FLANGE (8X45)

(25) **95801-08045-08**
BOLT, FLANGE (8X45)

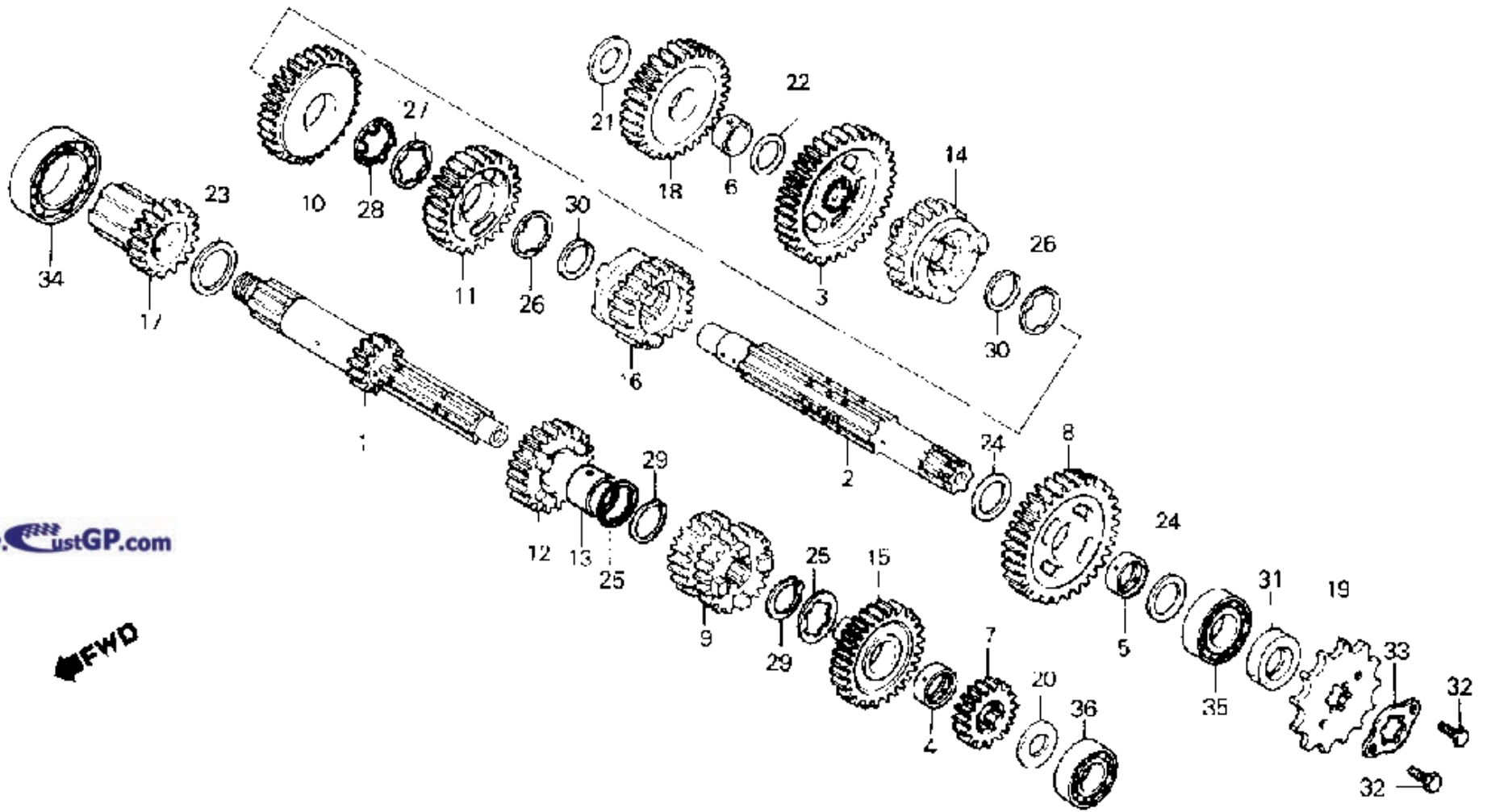
(26) **96000-06010-00**
BOLT, FLANGE (6X10)

(26) **96001-06010-00**
BOLT, FLANGE (6X10)

(27) **96000-06020-00**
BOLT, FLANGE
(6X20)

(27) **96001-06020-00**
BOLT, FLANGE
(6X20)

(28) **96201-80000**
FITTING (B.76S)



www.ustGP.com

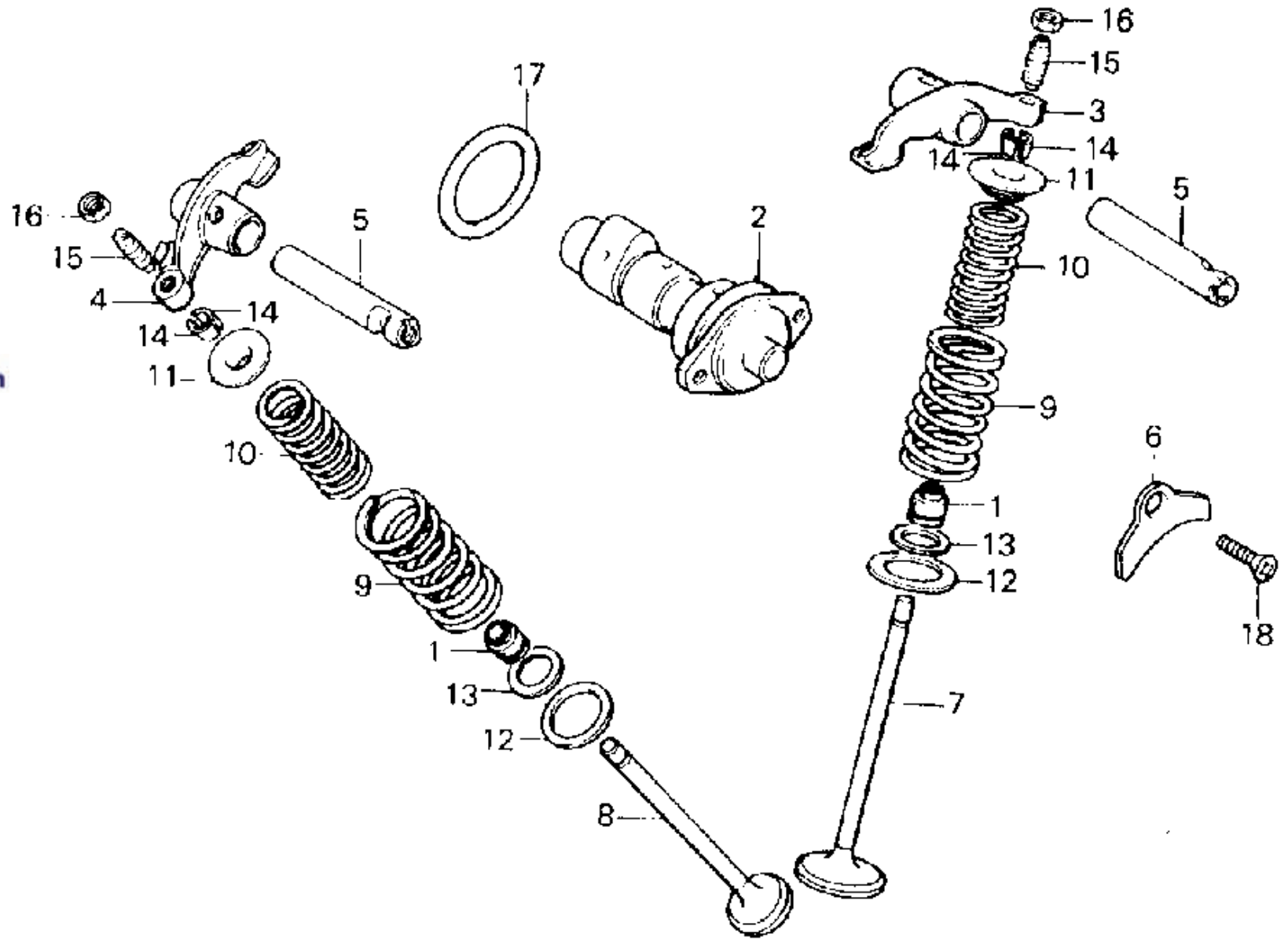
← FWD

(1)	23210-KJ2-000 MAINSHAFT
(2)	23221-446-000 COUNTERSHAFT, TRANS
(3)	23420-KT0-770 GEAR (36T)
(3)	23420-446-770 GEAR (36T)
(3)	23420-446-770 GEAR (36T)
(4)	23431-KA2-000 BUSH (20MM)
(4)	23431-KFB-000 BUSH (20MM)
(5)	23431-437-000 BUSH (20MM)
(6)	23431-439-000 BUSHING
(7)	23441-KJ2-000 GEAR (16T)
(8)	23451-KJ2-000 GEAR (33T)
(9)	23461-KJ2-000 GEAR (20T/23T)
(10)	23471-KJ2-000 GEAR (30T)
(11)	23491-446-650 GEAR (26T)
(12)	23501-KA2-000 GEAR (26T)
(13)	23502-KA2-000 BUSH (20MM)
(14)	23511-446-650 GEAR (24T)

(15)	23512-KA2-000 GEAR (28T)
(16)	23513-446-650 GEAR (22T)
(17)	23520-437-000 GEAR, STARTER (19T)
(18)	23531-437-310 GEAR ONLY (28T)
(19)	23801-KJ1-000 SPROCKET (13T)
(19)	23801-KJ1-010 SPROCKET (13T)
(20)	90451-107-000 WASHER (15MM)
(21)	90451-365-000 WASHER (15MM)
(22)	90452-437-000 WASHER (16.5MM)
(23)	90453-107-000 WASHER A (20MM)
(24)	90454-107-000 WASHER (20MM)
(25)	90456-KA2-000 WASHER A (20MM)
(26)	90463-437-000 WASHER (22MM)
(27)	90464-360-000 WASHER
(28)	90465-360-000 WASHER, LOCK
(29)	90601-437-000 CIRCLIP (22MM)
(30)	90605-200-000 SET-RING (20MM)

(31)	91201-446-003 OIL SEAL (20X34X6)
(31)	91201-446-004 OIL SEAL (20X34X6)
(32)	92000-06010 BOLT, HEX. (6X10)
(32)	92000-06010-0A BOLT, HEX. (6X10)
(32)	92101-06010-0A BOLT, HEX. (6X10)
(33)	95014-92100 PLATE B, FIXING
(34)	96100-60060-00 BEARING (6006)
(35)	96100-62040-00 BEARING (6204)
(36)	96140-62020-10 BEARING (6202U)

www.ustGP.com



← FWD

- (1) **12208-413-003**
SEAL, VALVE STEM

- (2) **14101-KJ2-000**
CAMSHAFT

- (3) **14431-383-000**
ARM, VALVE ROCKER

- (4) **14431-427-000**
ARM, EX. VLV
ROCKER

- (5) **14451-437-000**
SHAFT

- (6) **14456-383-000**
PLATE

- (7) **14711-KJ2-000**
VALVE, IN.

- (8) **14721-KJ2-000**
VALVE, EX.

- (9) **14751-383-003**
SPRING, VALVE

- (9) **14751-383-005**
SPRING, VALVE

- (10) **14761-383-003**
SPRING, VALVE

- (10) **14761-383-005**
SPRING, VALVE

- (11) **14771-107-020**
RETAINER, VLV SPR

- (12) **14775-107-000**
SEAT, VALVE SPRING

- (13) **14776-107-010**
SEAT, VALVE SPRING

- (14) **14781-107-003**
COTTER, VALVE

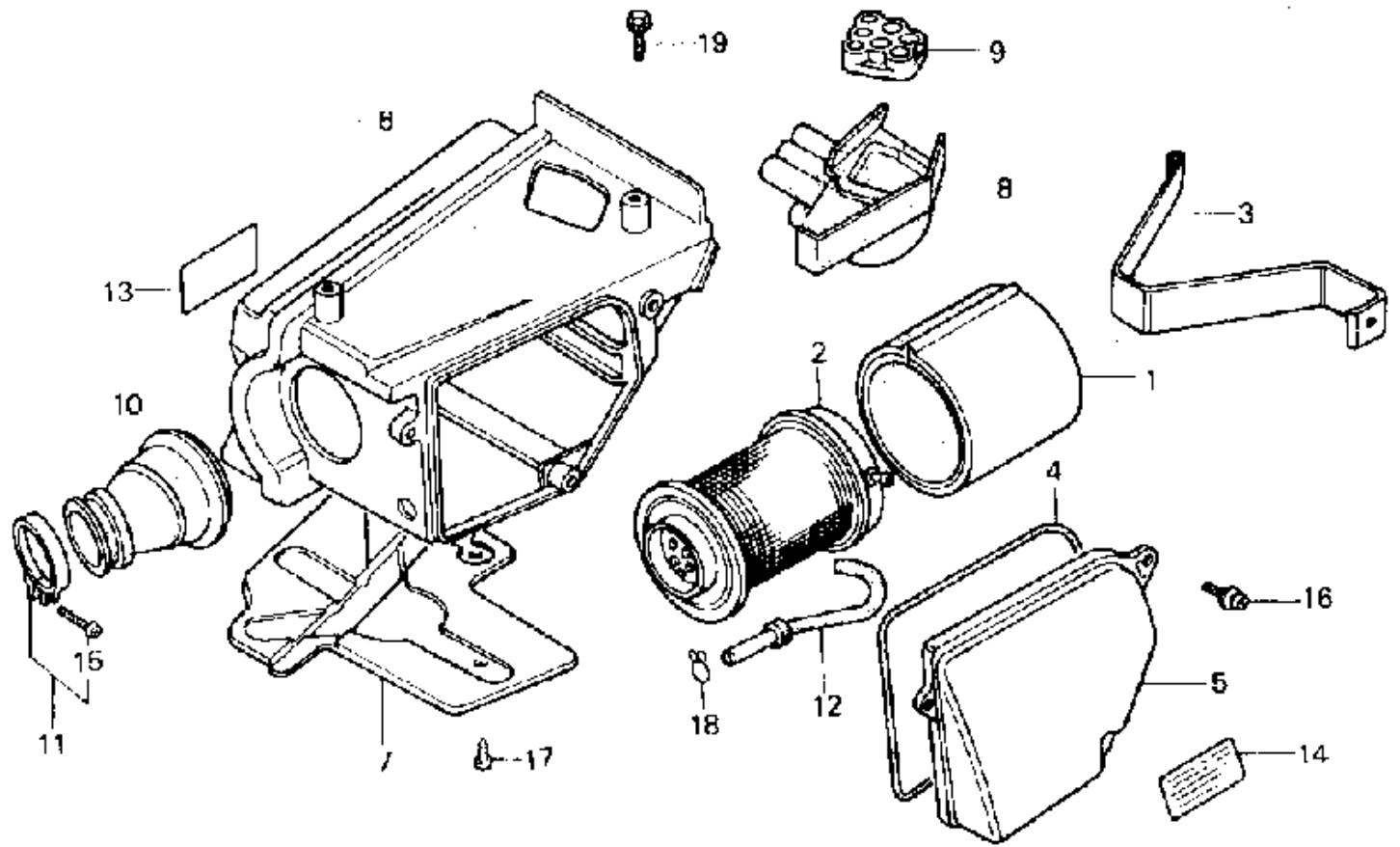
- (15) **90012-426-000**
SCREW, TAPPET
ADJ.

- (16) **90206-250-000**
NUT, TAPPET ADJ.

- (17) **90451-383-000**
WASHER (34MM)

- (18) **93600-06020-0A**
SCREW, FLAT (6X20)

www.ustGP.com



← FWD

(1) **17211-KJ2-003**
ELEMENT, AIR
CLEANER

(2) **17212-KJ2-670**
HOLDER, A/CLNR ELEM

(3) **17215-KJ2-670**
SPRING, A/CLNR ELEM

(4) **17219-HA2-405**
SEAL

(4) **17219-KJ2-003**
SEAL, A/CLNR HSG

(5) **17220-KJ2-003**
COVER, AIR CLEANER

(6) **17230-KJ2-670**
HOUSING, AIR
CLEANER

(6) **17230-KJ2-780**
HOUSING, AIR
CLEANER

(7) **17234-KJ2-003**
PROTECTOR, A/CLNR

(8) **17240-KJ2-003**
DUCT

(9) **17241-KJ2-003**
CAP, AIR CLEANER IN.

(10) **17253-KJ2-003**
TUBE

(11) **17255-166-000**
BAND, A/CLNR TUBE

(11) **17256-KG8-900**
BAND, A/CLNR TUBE

(12) **17562-KJ2-670**
TUBE B, BREATHER

(13) **87135-KJ2-780**
DIAGRAM

(13) **87135-KJ2-790**
DIAGRAM

(14) **87508-120-000**
LABEL

(15) **93500-05032-0A**
SCREW, PAN (5X32)

(16) **93893-05016-00**
SCREW-WASHER
(5X16)

(17) **93903-25010**
SCREW, TAPPING (5X8)

(18) **95002-02130**
CLIP, TUBE (B12.5)

(19) **96000-06012-00**
BOLT, FLANGE (6X12)

(19) **96001-06012-00**
BOLT, FLANGE (6X12)

www.ustGP.com